

# tonnage monitoring device

series: smartPKM



picture alike

tonnage monitoring device

smartPKM

1921 1000 0000

- \_ favorable tonnage monitoring device
- \_ add-on type
- \_ easy and quick mounting
- \_ easy to operate
- \_ min/max monitoring
- \_ 2 measuring channels
- \_ sum display
- \_ curve display

## application range

machineforce measurement

## technical data

feature

design	smartPKM
screen	10,4" LCD screen 1024x768 Pixel, 24 Bit
operation	1 Finger Touch, resistiv
operating voltage	24V DC (Us/Up) with 4 pol. M8 (IN/OUT)
current consumption	> = 900mA bei 24V (Us)
operating temperature	0... 40°C
rel. air humidity	10...90 % not condensing
CPU	Intel® Atom™ SoC E3845, Quad Core 1.91 GHz. 2M Cache
mainboard	3,5" SBC singlecomputer
RAM	4 GB DDR3L
maindrive	16 GB eMMC (on board)
capacity CFast	8 GB CFast card (optional)

### subject to change

TRsystems GmbH, system area  
 UNIDOR  
 Freiburger Straße 3  
 75179 Pforzheim  
 Tel. +49 (0) 7231 3152-0  
 unidor@trsystems.de  
[www.unidor.de](http://www.unidor.de)

# tonnage monitoring device

series: smartPKM

tonnage monitoring device

smartPKM

1921 1000 0000

## technical data

chipset	System OnChip (SOC)
interfaces	1 x LAN RJ45 Ethernet (Intel® i210)
	1 x LAN RJ45 EtheCAT® (Intel® i210)
	1 x USB 2.0
	1 x USB 3.0
	1 x VGA, Displayport (DP)
cooling system	passive cooling system
front color	silver
housing	alu anodized
housing assembly	incl. mounting adapter, VESA compatible
protection class	IP30
dimensions	240 x 215 x 66mm (WxHxD)
mounting	table or variable wall mounting
weight	2.15 kg

## order data

type	description	order number
smartPKM	tonnage monitoring device	1921 1000 0000

## functionality

the smartPKM is a digital tonnage monitoring device with 2 channels and min/max monitoring. The device has a touch operation screen with graphical event display (channel and total force display) as well as the display of the current machine angle (virtual encoder) and display of the current stroke rate. Integrated user administration; tool memory for 1,000 tools (alphanumeric); data backup on USB flash drive; 1 cam input (trigger signal); 1 clutch input; 1 stop output.

The piezo sensors are used to measure strains or compressions of the machine. The piezo sensors convert the strain (compression) proportional to the tonnage into an electrical voltage. The maximum force occurring within a cycle is stored and displayed, and compared with the specified set value. If the set values are exceeded, the machine is switched off. Min/max monitoring also active in jog mode (when no trigger signal is detected).

### subject to change

TRsystems GmbH, system area  
 UNIDOR  
 Freiburger Straße 3  
 75179 Pforzheim  
 Tel. +49 (0) 7231 3152-0  
 unidor@trsystems.de  
[www.unidor.de](http://www.unidor.de)

# tonnage monitoring device

series: smartPKM

**tonnage monitoring device**

**smartPKM**

1921 1000 0000

## delivery scope

type	description	order number
smartPKM	1 piece tonnage monitoring device	1921 1000 0000
	1 piece adjustable wall mount	
	1 piece Sitop PowerNT 24 VDC/ 5A	
	1 piece fuse C6A	
	1 piece USB flash drive (16 GB) for data backup	
	1 piece PSA 4eC amplifier	
	1 piece Power cable touchPC 5,0m	
	1 piece Power cable PSAeC4 10,0m	
	1 piece EtherCat cable PSAeC4 10,0m	
	3 pieces cable machine signals 10,0m	

## accessories

Typ	Bezeichnung	Bestellnummer
JZT 127/S-MS (SF)	tonnage sensor column mounting with (without) silikon 6m incl. mounting bracket	5001 0101 0000 (5001 0105 0000)
JZT 127/S-MS (SF)	tonnage sensor column mounting with (without) silikon 10m incl. mounting bracket	5001 0101 0100 (5001 0105 0100)
other lengths:	15; 20; 25; 30; 35m....	5001 0101 0xxx (5001 0105 0xxx)
JZT 127/P-MS (SF)	tonnage sensor con-rod mounting with (without) silikon 6m incl. mounting bracket	5001 0106 0000 (5001 0111 0000)
JZT 127/P-MS (SF)	tonnage sensor con-rod mounting with (without) silikon 10m incl. mounting bracket	5001 0106 0100 (5001 0111 0100)
other lengths:	15; 20; 25; 30; 35m....	5001 0106 0xxx (5001 0111 0xxx)
cover	left	49130013
cover	right	49130014

### subject to change

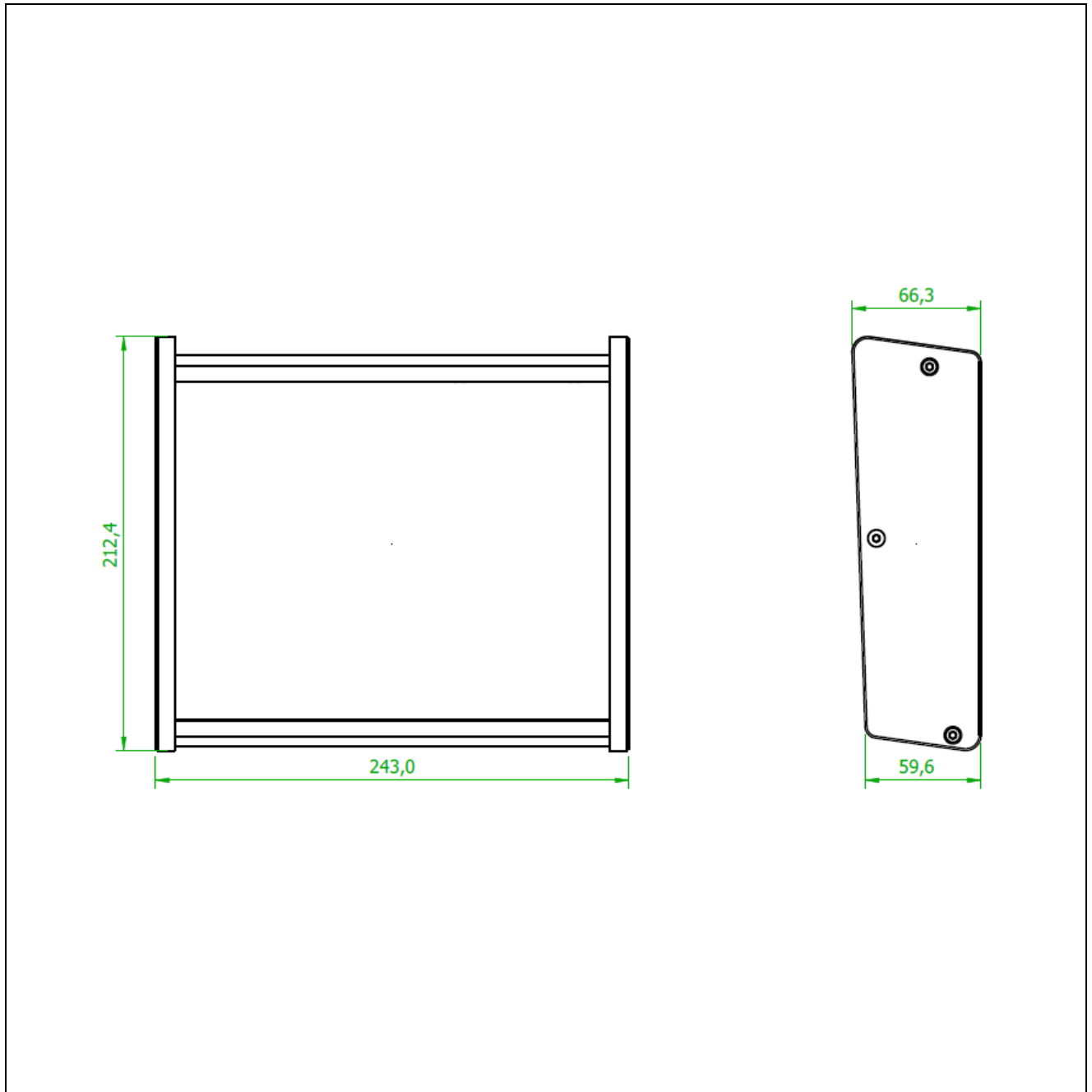
TRsystems GmbH, system area  
 UNIDOR  
 Freiburger Straße 3  
 75179 Pforzheim  
 Tel. +49 (0) 7231 3152-0  
 unidor@trsystems.de  
[www.unidor.de](http://www.unidor.de)

## tonnage monitoring device

series: smartPKM

tonnage monitoring device  
smartPKM  
1921 1000 0000

### dimensions



subject to change

TRsystems GmbH, system area  
UNIDOR  
Freiburger Straße 3  
75179 Pforzheim  
Tel. +49 (0) 7231 3152-0  
unidor@trsystems.de  
[www.unidor.de](http://www.unidor.de)