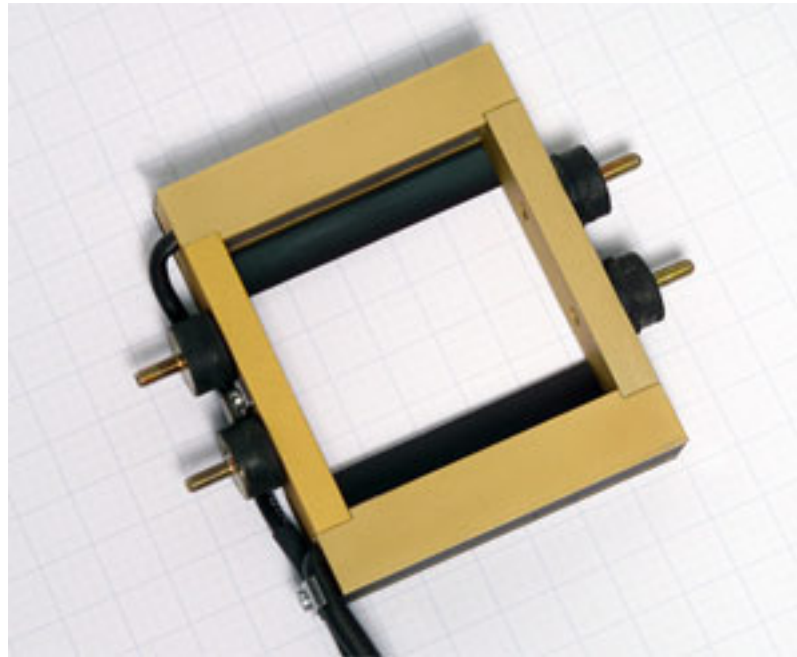


IR-Frame Light Barrier FPE Series



Application

Frame light barrier of the FPE-Series are used wherever ultra-small, non-guided parts need to be detected from a size of 0,3mm.

The external control unit is fixed with the sensor connected(1m).

With its compact design, this type of frame light barrier is very suitable for applications such as a material ejection monitoring on machine tools. On request is an analog output and a high-speed version available.

Technical features

- High sensitivity (parts > 0,3mm)
- Insensitive to external effect of light
- External control unit with adjustable pulse length and sensitivity
- Dirt accumulation compensation with indicator LED (yellow)
- Switching state indicator LED (green/red)
- Oil-resistant PUR-cable
- Scratch-resistant optic

Option

- Analog output 0-10 Volt
- High-speed version (10kHz)



IR-Frame Light Barrier

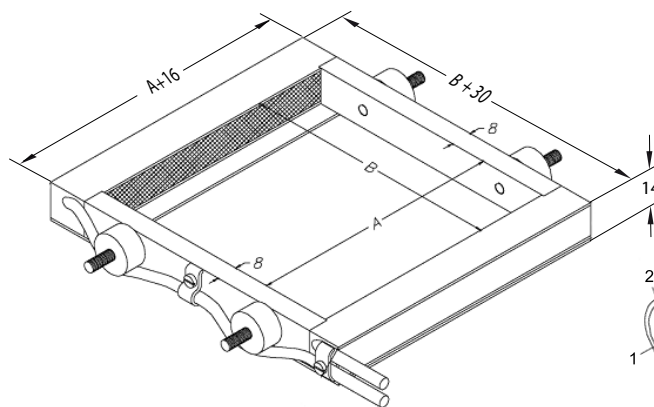
FPE Series

Technical Data

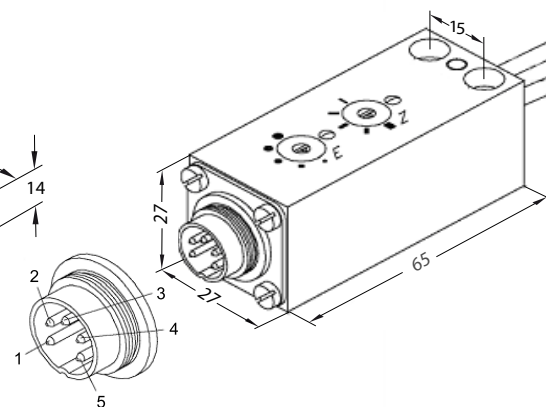
Voltage supply:	+12VDC... +32VDC
Max. range:	Typ. 200mA
Transmitter:	IR-Type
Min. visible part:	0,3mm
Ambient light:	Up to 5000 Lux
Max. switching current:	PNP/NPN dynamic, 200mA max.
Pulse length Z for switching output:	Adjustable in 20/50/100/200 oder 300ms
Switching state indication:	LED green/red
Dirt accumulation indication:	LED yellow
Sensitivity E:	Part size in 5 steps
Switching frequency:	1 kHz (optional HS 10kHz)
Housing: / Enclosure rating:	Aluminium, gold coloured anodized / IP 67

Dimensions/Configuration:

Frame Light Barrier



Control Unit



Size	A	B	Pin-No.	5 pin plug 270°
60/60	58	60	1	GND
80/80	78	80	2	+ UB (12-32VDC)
100/100	98	100	3	PNP (High-signal at free light beam)
			4	NPN (Low-signal at free light beam)
			5	n.c. (optional analog)

IR-Frame Light Barrier

FPE Series

Order Data

Article-No.	Short term	Description
500903010000	FPE 60/60 (5/X/S)	Frame type sensor FPE 60/60 incl. control unit
500903020000	FPE 80/80 (5/X/S)	Frame type sensor FPE 80/80 incl. control unit
500903030000	FPE 100/100 (5/X/S)	Frame type sensor FPE 100/100 incl. control unit
641040050000	CCB-FPE Interface*WZS 5B/X	Connecting cable 2m control unit/open end
641040050020	CCB-FPE Interface*WZS 5B/7S	Connecting cable 2m control unit /7pin plug

