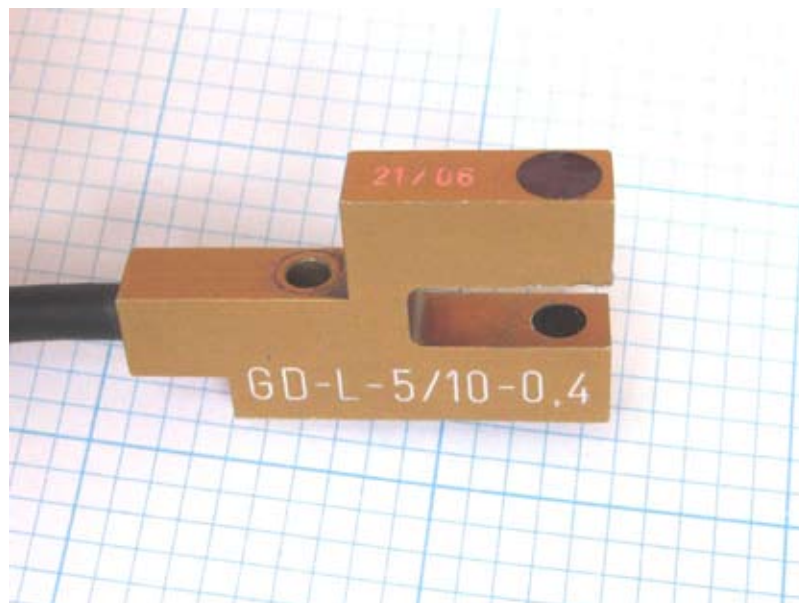


Laser-Fork Type Light Barrier GD-L Series



Application

The laser fork type light barrier of GD-L x/x/F Series with their sturdy metal housing and the high enclosure rating are designed for sophisticated applications in mechanical engineering.

Available in different sizes and apertures. The amplifier is in the sensor integrated.

Technical features

- Small type
- Integrated amplifier
- Laser class 1 (850nm)
- High switching frequency (25 kHz)
- Various types of housing
- Sturdy aluminium housing
- Switching state indicator
- Oil-resistant cable
- Different apertures available
- Insensitive to ambient light
- Scratch resistant optic

Warning-notice

The laser-beam of the GD-L Series according to laserclass 1 EN 60825



UNIDOR GmbH
Freiburger Str. 3
D-75179 Pforzheim

Tel +49(0)7231/3152-0
Fax +49(0)7231/3152-99
info@unidor.de
www.unidor.de

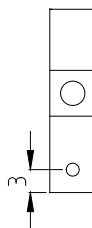
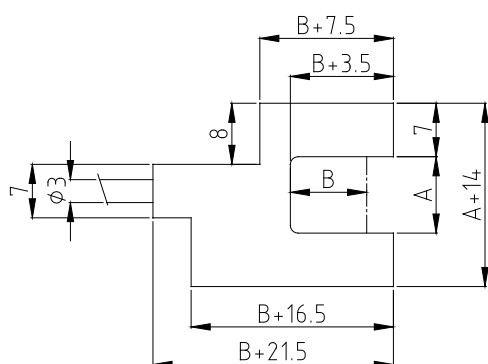
Laser-Fork Type Light Barrier

GD-L Series

Technical Data

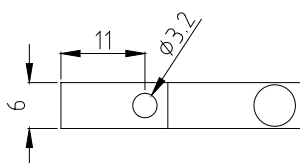
Voltage supply:	+12VDC... +30VDC
Max. range:	typ. 20mA
Transmitter:	Laser 850nm
Reproducibility:	typ. 0,01mm (depends on the aperture)
Optical filter:	IR-Filter
Ambient light:	Up to 5000 Lux
Apertures:	Round apertures (0,4 0,6 0,8 1,0 1,2)
Max. switching current:	PNP / NPN 100mA, short-circuit-proof
Operating temperature:	-20 °C... +50 °C
Housing: / Enclosure rating:	Alu, gold anodized / IP 67
Switching frequency:	25 kHz

Dimensions



Fork-size	A	B	Aperture
5/10	5 mm	10 mm	0,4*
10/10	10 mm	10 mm	0,4*
10/15	10 mm	15 mm	0,4*
10/20	10 mm	20 mm	0,4*
10/30	10 mm	30 mm	0,4*
15/10	15 mm	10 mm	0,6*
20/10	20 mm	10 mm	0,6*
20/30	20 mm	30 mm	0,6*

* Further apertures s. Technical Data



Colour: Configuration:

brown	+Ub (+12VDC ... +30VDC)
white	NPN (Low-Signal at free light beam)
blue	GND (0V)
black	PNP (High-Signal at free light beam)
shield	Housing

Order data

Article-No.	Short term	Description
51019600	GD-L 5/10 X/0,4/F	Fork type GD-L 5/10 w/o plug cable-length =2m
51019601	GD-L 10/10 X/0,4/F	Fork type GD-L 10/10 w/o plug cable-length =2m
51019602	GD-L 10/15 X/0,4/F	Fork type GD-L 10/15 w/o plug cable-length =2m
51019603	GD-L 10/20 X/0,4/F	Fork type GD-L 10/20 w/o plug cable-length =2m
51019604	GD-L 10/30 X/0,4/F	Fork type GD-L 10/30 w/o plug cable-length =2m
51019605	GD-L 15/10 X/0,6/F	Fork type GD-L 15/10 w/o plug cable-length =2m
51019606	GD-L 20/10 X/0,6/F	Fork type GD-L 20/10 w/o plug cable-length =2m
51019607	GD-L 20/30 X/0,6/F	Fork type GD-L 20/30 w/o plug cable-length =2m

UNIDOR GmbH
Freiburger Str. 3
D-75179 Pforzheim

Tel +49(0)7231/3152-0
Fax +49(0)7231/3152-99
info@unidor.de
www.unidor.de