

Laser Digital - Rod Type Sensor LAS 3 Series



Application

The laser digital rod type sensor of LAS 3 Series work with visible parallel laser light.

The use of round apertures ensures a homogeneous light distribution in the laser beam.

Smallest objects (from 0,1mm) are detected even in case of a large transmitter/receiver distance.

Dynamic correction of the switching threshold compensates the effect of dirt accumulation.

The brass housing has a metrical external thread of M8x1.

Warning notice

Laser of the LAS 3 Series comply with the laser class 2 according to EN 60825. The use of this transmitter requires no additional protective measures.

Technical features

- Easy installation
- Internal amplifier
- Laser protection class 2
- Laser beam (visible)
- Different apertures available
- Sturdy metal housing
- Switching state indicator LED
- High range (up to 30m)
- Insensitive to dirt accumulation and external effect of light
- 3pin M8 connector



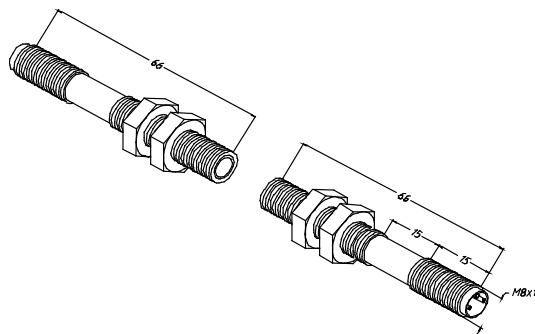
Laser Digital - Rod Type Sensor

LAS 3 Series

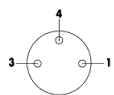
Technical Data

Voltage supply:	+12VDC... +32VDC
Max. current:	typ. 90mA
Transmitter:	Laser, 670nm
Distance:	Max. 30m (depends on the aperture)
Optical filter:	Interference filter
Ambient light:	Up to 5000 Lux
Apertures:	Round apertures (0,3mm – 3,0mm)
Max. switching current:	100mA, short-circuit-proof
Operating temperature:	-20 °C... +50 °C
Housing: / Enclosure rating:	Brass, nickel-plated / IP 67
Switching frequency:	1 kHz

Dimensions

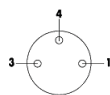


Type	Max. Distance	Aperture	Size
LAS 3/3.0	30m	∅ 3mm	> 3mm
LAS 3/1.0	10m	∅ 1mm	> 1mm
LAS 3/0.7	5m	∅ 0.7mm	> 0.7mm
LAS 3/0.5	2m	∅ 0.5mm	> 0.5mm
LAS 3/0.3	0.5m	∅ 0.3mm	> 0.3mm
LAS 3/0.1	0.1m	∅ 0.1mm	> 0.1mm



Interface Transmitter
Plug 3 pin M8 connector
Config.

1	+24V	brown
3	GND	blue
4	SHIELD	black



Interface Receiver
(in PNP or NPN available)
Plug 3 pin M8
Config.

1	+24V	brown
3	GND	blue
4	OUTPUT	black

Order data

Article-No.	Short term	Description
500601300000	LAS 3 Transmitter (0,5/S) M8x1	Rod type transmitter M8x1 with aperture 0,5mm*
500601310000	LAS 3 Receiver PNP (P/0,5/S) M8x1	Rod type receiver PNP M8x1 with aperture 0,5mm*
500601320000	LAS 3 Receiver NPN (N/0,5/S) M8x1	Rod type receiver NPN M8x1 with aperture 0,5mm*
641040100000	CCB LAS 3 (3B/X) Transmitter 2m	Connection cable LAS 3 transmitter with 2m length
641040110000	CCB LAS 3 (3B/X) Receiver 2m	Connection cable LAS 3 receiver with 2m length

* More apertures see table (please specify by order)

UNIDOR GmbH
Freiburger Str. 3
D-75179 Pforzheim

Tel +49(0)7231/3152-0
Fax +49(0)7231/3152-99
info@unidor.de | www.unidor.de