

# light sensor

type: ORS500



picture alike

## ORS500

5101 9638

Apr-21

- \_ red light
- \_ 4-turn potentiometer
- \_ bright LED
- \_ light/dark switching
- \_ scanning range adjustable
- \_ robust metal housing
- \_ integrated amplifier

## application range

position detection

feed rate detection

## technical data

feature	
voltage supply	10... 35V DC
max. current	40mA
transmitter	red light 650nm, pulsed
light spot diameter	0.3mm
housing	zinc die-cast, lacquered
output	PNP 200mA NO/NC switchable
distance (typ.)	adjustable 100...500mm
switching frequency	1 kHz
switching hysteresis	<12%
reproducibility	<1%
ambient light	10,000 Lux
setting	potentiometer
connection	M12 4pin
background fade-out	no

## subject to change

TRsystems GmbH, system area  
 UNIDOR  
 Freiburger Straße 3  
 75179 Pforzheim  
 Tel. +49 (0) 7231 3152-0  
 unidor@trsystems.de  
[www.unidor.de](http://www.unidor.de)

# light sensor

type: ORS500

**ORS500**

5101 9638

Apr-21

## ambient conditions

operating temperature range -10 .. +60°C

enclosure rating IP 67

## order data / types

type	description	order number
ORS500	reflection light sensor	5101 9638

### subject to change

TRsystems GmbH, system area

UNIDOR

Freiburger Straße 3

75179 Pforzheim

Tel. +49 (0) 7231 3152-0

unidor@trsystems.de

[www.unidor.de](http://www.unidor.de)

# light sensor

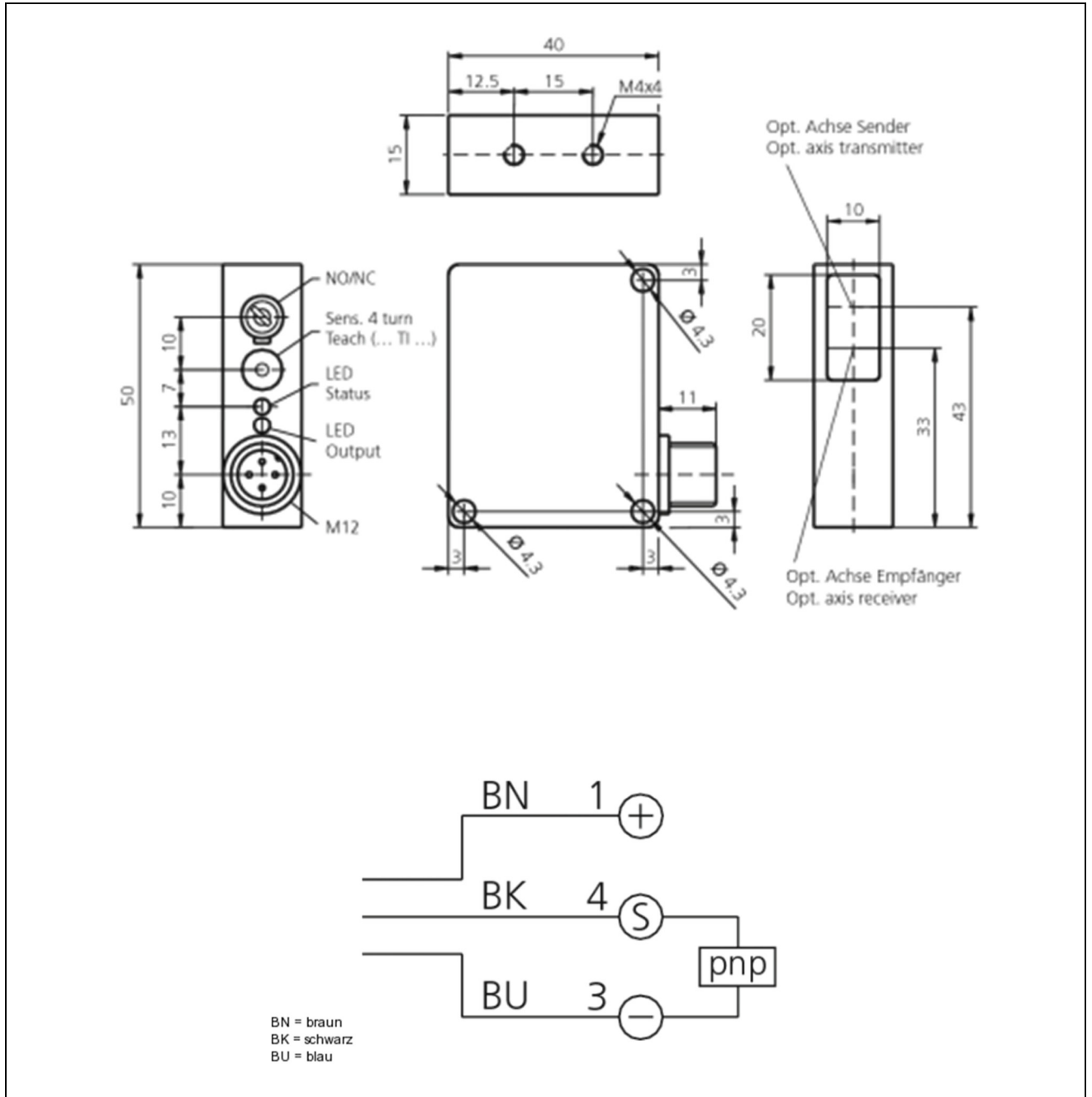
type: ORS500

## dimensions

**ORS500**

5101 9638

Apr-21



subject to change

TRsystems GmbH, system area  
 UNIDOR  
 Freiburger Straße 3  
 75179 Pforzheim  
 Tel. +49 (0) 7231 3152-0  
 unidor@trsystems.de  
[www.unidor.de](http://www.unidor.de)