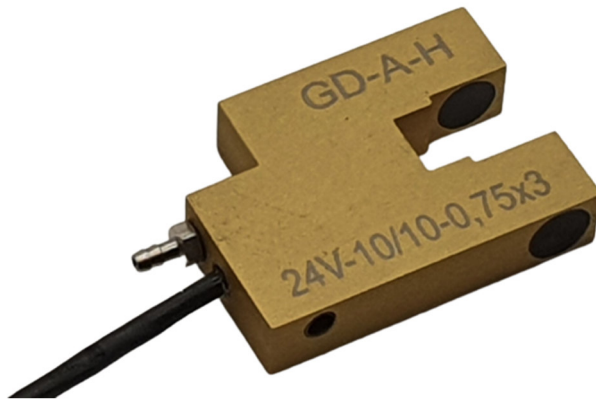


# fork light barrier

type: GD-AH 24V



picture alike

## GD-AH 24V

5101 96xx

Apr-21

- \_ robust aluminium housing
- \_ internal amplifier
- \_ air blast connector
- \_ temperature compensated
- \_ analog output (0...5V)
- \_ oil-resistant PUR-cable
- \_ scratch-resistant optic

## application range

measuring technique,

like feeding-, positioning-, length measuring

## technical data

feature	
voltage supply	15 .. 32 V DC
max. current	app. 30 mA
transmitter	IR-LED
receiver	photo transistor
housing	alu, gold anodised
output	0...5V
reproducibility	0.2% of measuring range
min. recognizable object	0.3 mm
apertures	Round and rectangular apertures
switching frequency	100 kHz

## subject to change

TRsystems GmbH, system area  
 UNIDOR  
 Freiburger Straße 3  
 75179 Pforzheim  
 Tel. +49 (0) 7231 3152-0  
 unidor@trsystems.de  
[www.unidor.de](http://www.unidor.de)

# fork light barrier

type: GD-AH 24V

## GD-AH 24V

5101 96xx

Apr-21

### ambient conditions

operating temperature range	-20 .. +60°C
enclosure rating	IP 67

### order data / types

type	description	order number
GD-AH 10x10	24V/0.75x3/X, cable 1.5m open ends	5101 9636
GD-AH 10x10	24V/0.5x1/X, cable 1.5m open ends	5101 9645
GD-AH 10x30	24V/0.75x3/X, cable 1.5m open ends	5101 9646
GD-AH 10x30	24V/0.5x1/X, cable 1.5m open ends	5101 9647
GD-AH 20x30	24V/0.75x3/X, cable 1.5m open ends	5101 9648
GD-AH 20x30	24V/0.5x1/X, cable 1.5m open ends	5101 9649

Andere Gabelgrößen und Blenden möglich.

### apertures

type (mass AxB)	type (mass AxB)	type (mass AxB)	type (round)
0.2x0.5	0.3x1.5	0.75x3.0	0.4
0.2x1.0	0.3x3.0	1.0x1.0	0.6
0.3x0.8	0.5x2.0	1.0x1.2	0.8
0.3x1.0	0.75x2.0	1.0x2.0	1.0
			1.5
			2.0

#### subject to change

TRsystems GmbH, system area  
 UNIDOR  
 Freiburger Straße 3  
 75179 Pforzheim  
 Tel. +49 (0) 7231 3152-0  
 unidor@trsystems.de  
[www.unidor.de](http://www.unidor.de)

# fork light barrier

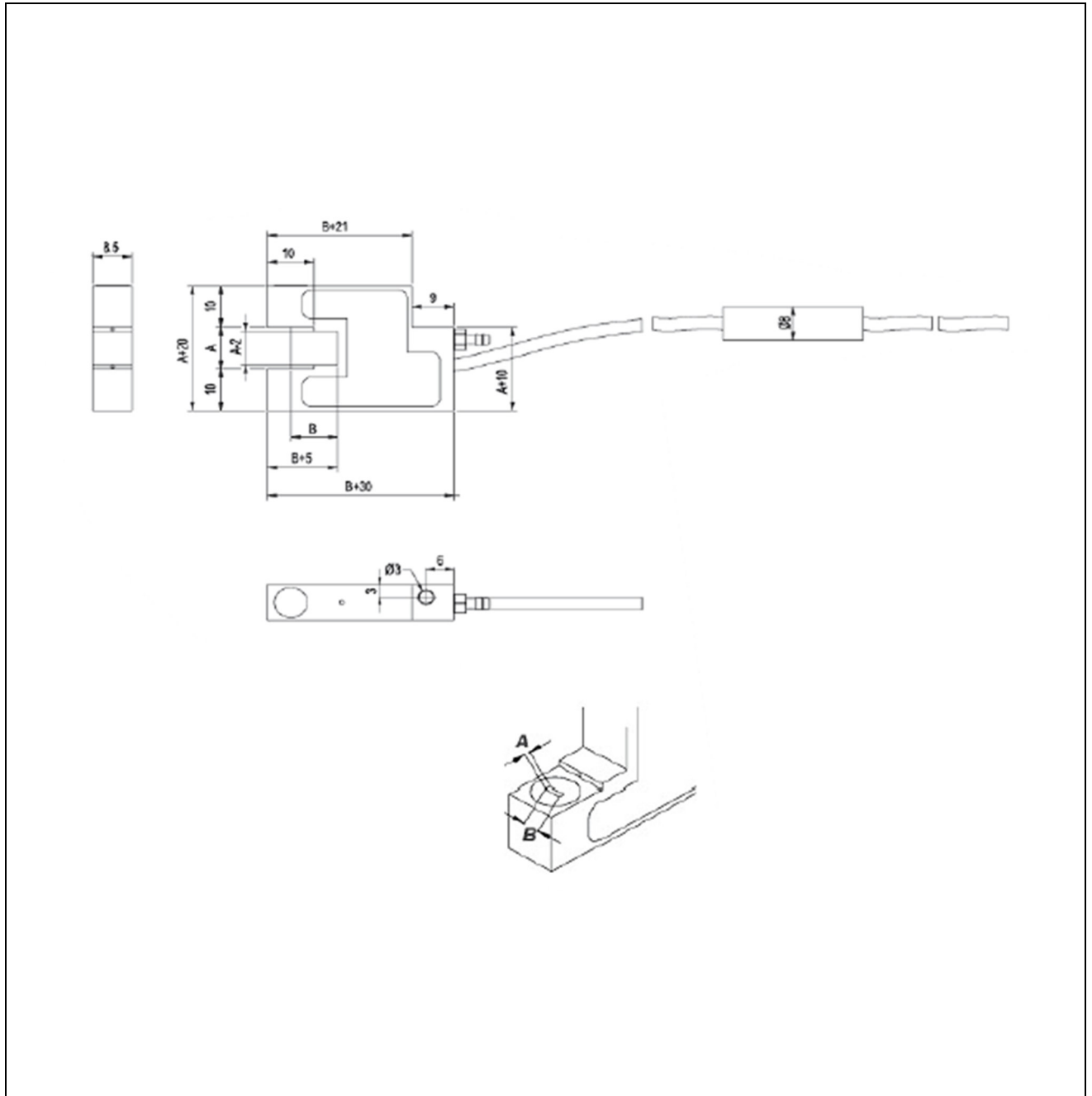
type: GD-AH 24V

GD-AH 24V

5101 96xx

Apr-21

## dimensions



subject to change

TRsystems GmbH, system area  
UNIDOR  
Freiburger Straße 3  
75179 Pforzheim  
Tel. +49 (0) 7231 3152-0  
unidor@trsystems.de  
[www.unidor.de](http://www.unidor.de)