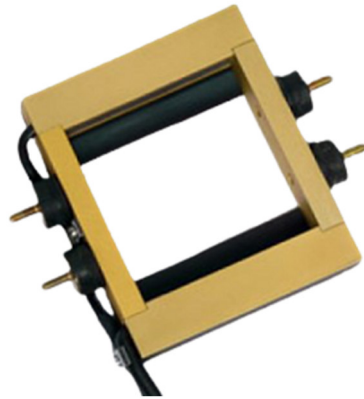


frame light barrier

type: FPE



picture alike

FPE

5009 03xx xxx

Apr-21

- _ high sensitivity
- _ insensitive to external effect of light
- _ external control unit with adjustable pulse length and sensitivity
- _ dirt accumulation compensation with indicator
- _ oil-resistant PUR-cable
- _ scratch-resistant optic

application range

part output detection

quick process counting

technical data

feature	
voltage supply	12 .. 32 V DC
max. current	200 mA
transmitter	IR-LED
receiver	photo transistor
housing	alu, gold anodised
outputs	dynamic digital NPN/PNP*
output pulse with	adjustable, 5 levels 20, 50, 100, 200 300 ms
output level	Ub (max. 200mA)
sensitivity dynamic	0.3 mm (ball)
sensitivity	adjustable, 5 levels
switching frequency	1 kHz (optional HS 10kHz)
switching state indicator	LED (red/green)

subject to change

TRsystems GmbH, system area
 UNIDOR
 Freiburger Straße 3
 75179 Pforzheim
 Tel. +49 (0) 7231 3152-0
 unidor@trsystems.de
www.unidor.de

frame light barrier

type: FPE

FPE

5009 03xx xxx

Apr-21

ambient conditions

operating temperature range	-20 .. + 60°C
enclosure rating	IP 67
ambient light level	5000 Lux
resistant against chem. substances	Connecting cables resistant to oil

*PNP (high-signal at free light beam), NPN (low-signal at free light beam)

order data / types

type	description	order number
FPE 60x60	frame light barrier	5009 0301 0000
FPE 80x80	frame light barrier	5009 0302 0000
FPE 100x100	frame light barrier	5009 0303 0000
CCB-FPE	Interface*WZS 5B/X	6410 4005 0000
CCB-FPE	Interface*WZS 5B/7S	6410 4005 0020
M12 plug	4pin own manufacture	6200 0627
M8 plug	3pin own manufacture	62000 1569

dimensions

type	measure A	measure B
FPE 60x60	58 mm	60 mm
FPE 80x80	78 mm	80 mm
FPE 100x100	98 mm	100 mm

subject to change

TRsystems GmbH, system area
 UNIDOR
 Freiburger Straße 3
 75179 Pforzheim
 Tel. +49 (0) 7231 3152-0
 unidor@trsystems.de
www.unidor.de

frame light barrier

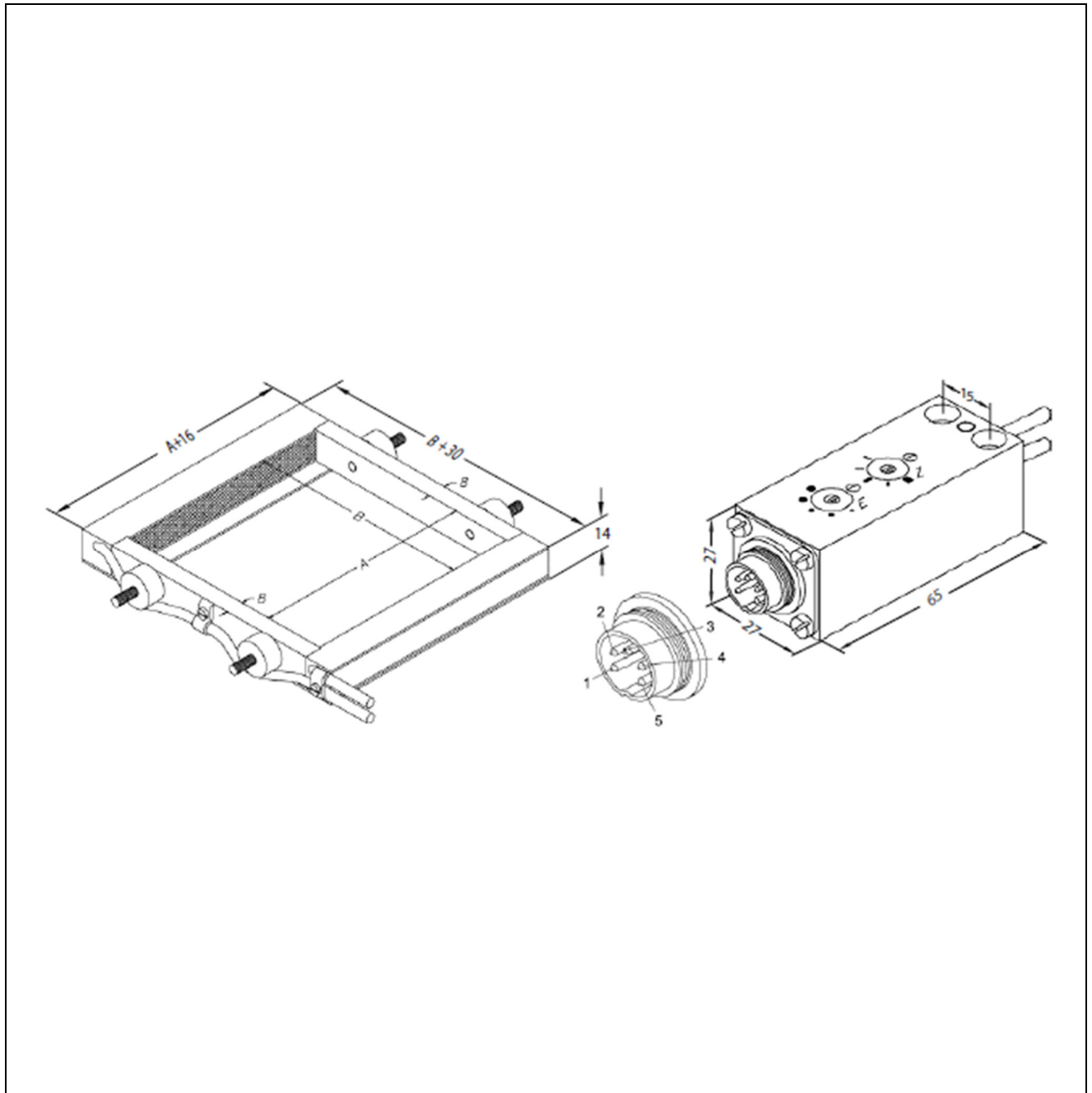
type: FPE

FPE

5009 03xx xxx

Apr-21

dimensions



subject to change

TRsystems GmbH, system area

UNIDOR

Freiburger Straße 3

75179 Pforzheim

Tel. +49 (0) 7231 3152-0

unidor@trsystems.de

www.unidor.de

frame light barrier

type: FPE

FPE

5009 03xx xxx

Apr-21

pin assignment

M16, 7pin (6410 4005 0020)

colour	Pin	operation
-	1	n.c.
-	2	jumper to 3
-	3	jumper to 2
white or yellow	4	signal
green and shield	5	GND 0V
brown	6	UB
-	7	n.c.

M12, 4pin (6200 0627)

colour	Pin	operation
brown	1	UB
-	2	n.c.
green and shield	3	GND 0V
white or yellow	4	signal

M8, 3pin (62000 1569)

colour	Pin	operation
brown	1	UB
white or yellow	4	signal
green and shield	3	GND 0V

subject to change

TRsystems GmbH, system area
UNIDOR
Freiburger Straße 3
75179 Pforzheim
Tel. +49 (0) 7231 3152-0
unidor@trsystems.de
www.unidor.de