

fork light barrier

type: GD 5x13 10x13 ext. electronic



picture alike

GD

5003 020x xxxx

Apr-21

- _ blast air connection
- _ ext. electronic
- _ robust aluminium housing
- _ oil-resistant PUR-cable
- _ high definition
- _ switching state indicator
- _ insensitive to extraneous light

application range

position detection, feed rate detection quick process counting

technical data

feature	
voltage supply	12 .. 28 V DC
max. current	app. 90 mA
transmitter	IR-LED
receiver	photo transistor
housing	alu, gold anodised
outputs	2x digital dark and light switching NPN/PNP*
output current	200 mA
reproducibility	0.05mm
minimally recognizable object	0.3 mm
apertures	0.8 mm
switching frequency	5 kHz
switching state indicator	green/red

subject to change

TRsystems GmbH, system area
 UNIDOR
 Freiburger Straße 3
 75179 Pforzheim
 Tel. +49 (0) 7231 3152-0
 unidor@trsystems.de
www.unidor.de

fork light barrier

type: GD 5x13 10x13 ext. electronic

GD

5003 020x xxxx

Apr-21

ambient conditions

operating temperature range	-20 .. + 60°C
enclosure rating	IP 67
ambient light level	5000 Lux

* at free light beam white: high Signal, yellow low Signal

order data / types

type	description	order number
GD 5x13	with cable 1m 7pin plug	5003 0200 0000
GD 10x13	with cable 1m 7pin plug	5003 0201 0000
CCB	connecting cable 7pin female jack/open ends	
M16 plug	7-pin own manufacture	6330 0040 0000
M12 plug	4-pin own manufacture	6200 0627
M8 plug	3-pin own manufacture	6200 01569

dimensions

type	measure A
GD 5x13	5mm
GD 10x13	10mm

subject to change

TRsystems GmbH, system area
 UNIDOR
 Freiburger Straße 3
 75179 Pforzheim
 Tel. +49 (0) 7231 3152-0
 unidor@trsystems.de
www.unidor.de

fork light barrier

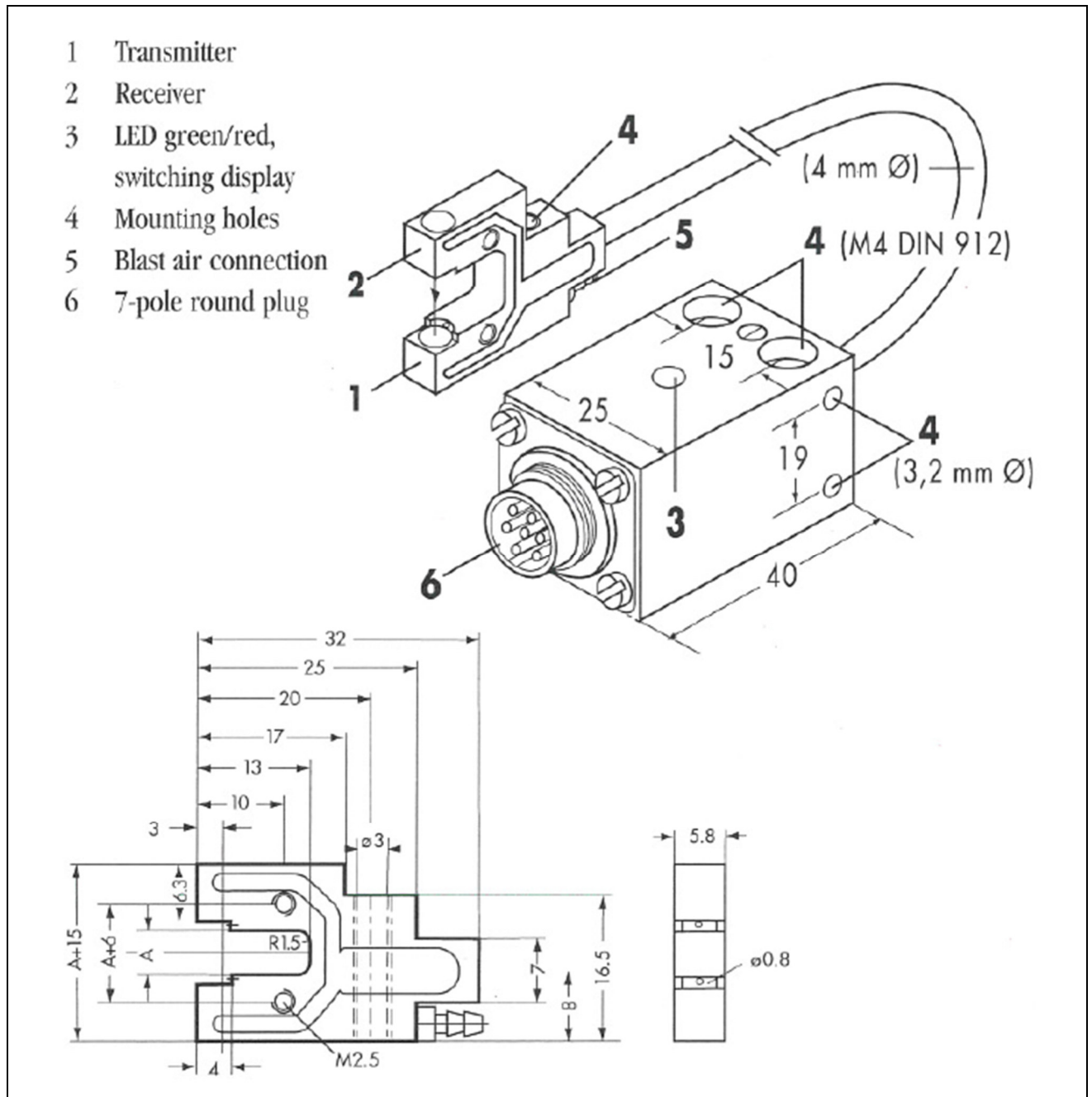
type: GD 5x13 10x13 ext. electronic

GD

5003 020x xxxx

Apr-21

dimensions



subject to change

TRsystems GmbH, system area
 UNIDOR
 Freiburger Straße 3
 75179 Pforzheim
 Tel. +49 (0) 7231 3152-0
 unidor@trsystems.de
www.unidor.de

fork light barrier

type: GD 5x13 10x13 ext. electronic

GD

5003 020x xxxx

Apr-21

pin assignment

M16, 7pin (6330 0040 0000)

colour	Pin	operation
-	1	n.c.
-	2	jumper to 3
-	3	jumper to 2
white or yellow	4	signal
green and shield	5	GND 0V
brown	6	UB
-	7	n.c.

M12, 4pin (6200 0627)

colour	Pin	operation
brown	1	UB
-	2	n.c.
green and shield	3	GND 0V
white or yellow	4	signal

M8, 3pin (6200 01569)

colour	Pin	operation
brown	1	UB
white or yellow	4	signal
green and shield	3	GND 0V

subject to change

TRsystems GmbH, system area
UNIDOR
Freiburger Straße 3
75179 Pforzheim
Tel. +49 (0) 7231 3152-0
unidor@trsystems.de
www.unidor.de