

# tonnage sensor

type: KS3



picture alike

## KS3

1401 4060 00x0

Apr-21

- \_ robust Piezosensor
- \_ easy to assemble
- \_ high linearity
- \_ long life span
- \_ no ageing
- \_ no wear
- \_ low temperature drift
- \_ insensitively against vibrations

## application range

press force measurement

in tools

## technical data

feature:

Housing	Steel
operating temperature range	0...+60°C
Output	Load
measurement insulation	> 10 <sup>11</sup> Ω
cable length standard	3m
overload shock	2500 g (0.5ms Puls)
Preload	450.000pC
enclosure rating	IP66

## subject to change

TRsystems GmbH, system area  
 UNIDOR  
 Freiburger Straße 3  
 75179 Pforzheim  
 Tel. +49 (0) 7231 3152-0  
 unidor@trsystems.de  
[www.unidor.de](http://www.unidor.de)

# tonnage sensor

type: KS3

**KS3**

1401 4060 00x0

Apr-21

## order data / types

type	description	order number
KS3	tonnage Sensor 8H7, cabel 3m	1401 4060 0000
KS3	tonnage Sensor 8H7, cabel 4m	1401 4060 0040
KS3	tonnage Sensor 8H7, cabel 6m	1401 4060 0060

### subject to change

TRsystems GmbH, system area

UNIDOR

Freiburger Straße 3

75179 Pforzheim

Tel. +49 (0) 7231 3152-0

unidor@trsystems.de

[www.unidor.de](http://www.unidor.de)

# tonnage sensor

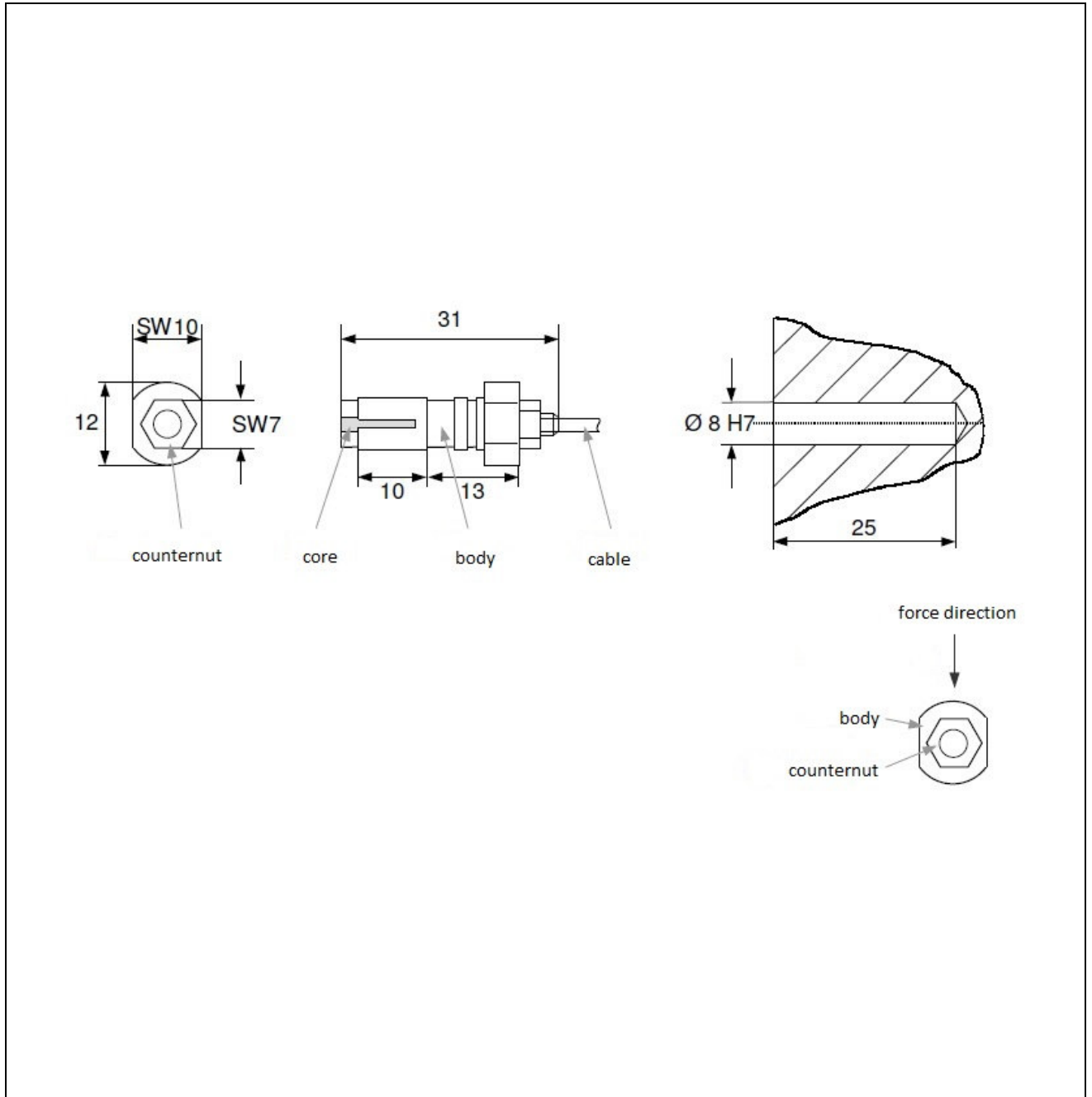
type: KS3

## dimensions

KS3

1401 4060 00x0

Apr-21



subject to change

TRsystems GmbH, system area  
UNIDOR  
Freiburger Straße 3  
75179 Pforzheim  
Tel. +49 (0) 7231 3152-0  
unidor@trsystems.de  
[www.unidor.de](http://www.unidor.de)