

light sensor

type: ORS250



picture alike

ORS250

5101 9705

Apr-21

- _ red light laser
- _ 6-turn potentiometer
- _ bright LED
- _ light/dark switching
- _ scanning range adjustable
- _ robust metal housing
- _ integrated amplifier

application range

position detection

feed rate detection

technical data

feature	
voltage supply	10... 35V DC
max. current	30mA
transmitter	red light 650nm, pulsed
housing	zinc die-cast, lacquered
output	PNP/NPN 200mA NO/NC
distance (typ.)	adjustable 40...300mm
switching frequency	1 kHz
switching hysteresis	<1%
ambient light	5,000 Lux
setting	Potentiometer
connection	M12 4pin
background fade-out	yes

subject to change

TRsystems GmbH, system area
 UNIDOR
 Freiburger Straße 3
 75179 Pforzheim
 Tel. +49 (0) 7231 3152-0
 unidor@trsystems.de
www.unidor.de

light sensor

type: ORS250

ORS250

5101 9705

Apr-21

ambient conditions

operating temperature range -20 .. +60°C

enclosure rating IP 67

order data / types

type	description	order number
ORS250	reflection light sensor	5101 9705

subject to change

TRsystems GmbH, system area

UNIDOR

Freiburger Straße 3

75179 Pforzheim

Tel. +49 (0) 7231 3152-0

unidor@trsystems.de

www.unidor.de

light sensor

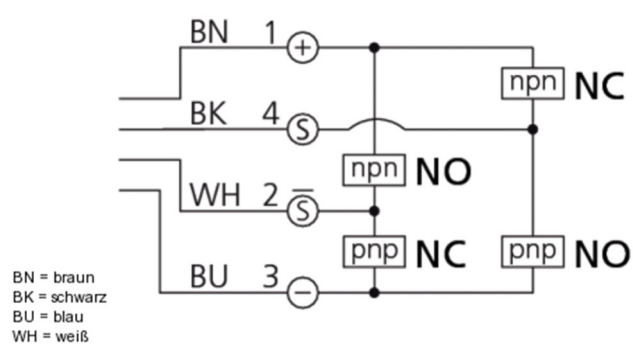
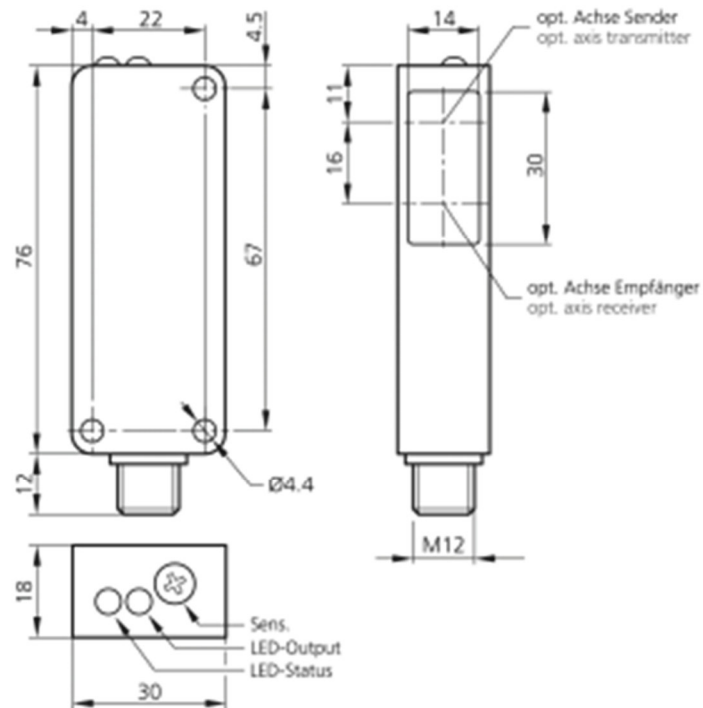
type: ORS250

dimensions

ORS250

5101 9705

Apr-21



subject to change

TRsystems GmbH, system area
 UNIDOR
 Freiburger Straße 3
 75179 Pforzheim
 Tel. +49 (0) 7231 3152-0
 unidor@trsystems.de
www.unidor.de