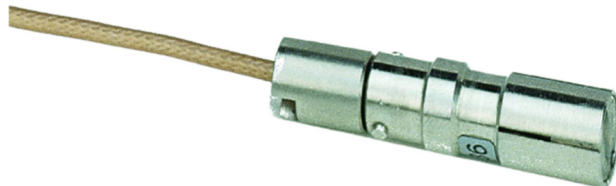


tonnage sensor

type: QMD8



picture alike

QMD8

5101 9142

Apr-21

- _ robust Piezosensor
- _ easy to assemble
- _ high linearity
- _ long life span
- _ no ageing
- _ no wear
- _ low temperature drift
- _ insensitively against vibrations

application range

press force measurement

in tools

technical data

feature:

housing	steel
operating temperature range	0...+85°C
output	load
sensitivity	ca. 200pC/μe
cable length standard	2m
enclosure rating	IP66

subject to change

TRsystems GmbH, system area
 UNIDOR
 Freiburger Straße 3
 75179 Pforzheim
 Tel. +49 (0) 7231 3152-0
 unidor@trsystems.de
www.unidor.de

tonnage sensor

type: QMD8

QMD8

5101 9142

Apr-21

order data / types

type	description	order number
QMD8	QMD/K-8-2-4 dowel sensor	5101 9142

subject to change

TRsystems GmbH, system area
UNIDOR
Freiburger Straße 3
75179 Pforzheim
Tel. +49 (0) 7231 3152-0
unidor@trsystems.de
www.unidor.de

tonnage sensor

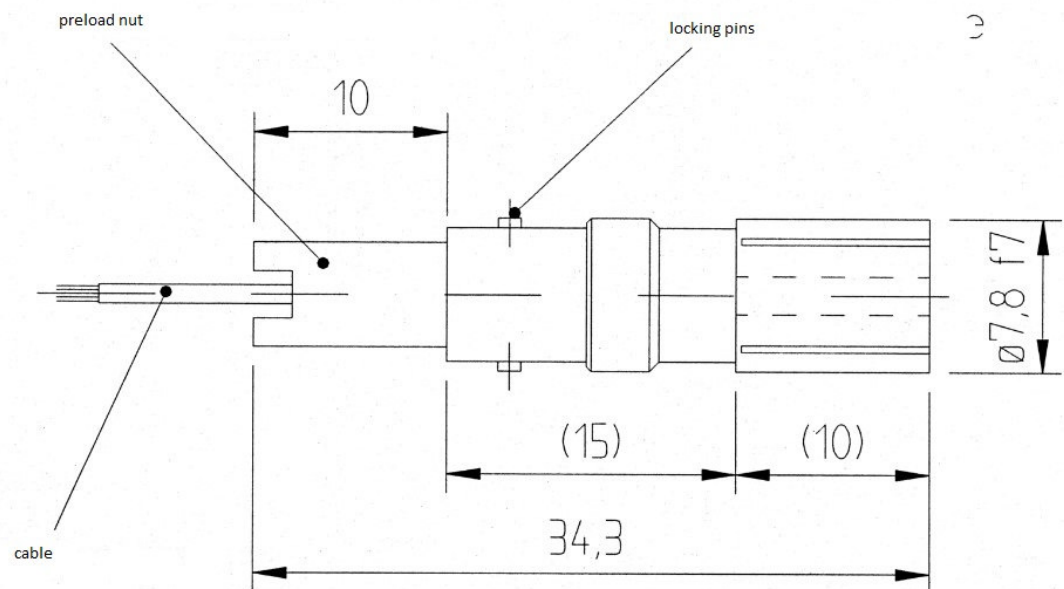
type: QMD8

dimensions

QMD8

5101 9142

Apr-21



subject to change

TRsystems GmbH, system area
UNIDOR
Freiburger Straße 3
75179 Pforzheim
Tel. +49 (0) 7231 3152-0
unidor@trsystems.de
www.unidor.de