

chopped light amplifier

type: WLV



picture alike

WLV

5101 90xx

Apr-21

- _ chopped light operation
- _ yellow LED display dirt accumulation
- _ green LED displays switched output
- _ sensitivity adjustable via poti

application range

supplies the photoelectric barrier

transmitter with current pulses

technical data

feature

voltage supply	12 .. 28 V DC
max. current	app. 100 mA
housing	alu, gold anodised
outputs	PNP*
output level	50 mA
switching frequency	10 kHz
switching state indicator	LED yellow/red

subject to change

TRsystems GmbH, system area
 UNIDOR
 Freiburger Straße 3
 75179 Pforzheim
 Tel. +49 (0) 7231 3152-0
 unidor@trsystems.de
www.unidor.de

chopped light amplifier

type: WLV

WLV

5101 90xx

Apr-21

ambient conditions

operating temperature range	-20 .. + 60°C
enclosure rating	IP 67

* PNP (high-signal at free light beam)

order data / types

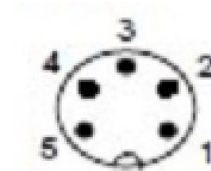
type	description	order number
WLV3	chopped light amplifier 5-pin/5-pin	5101 9021
WLV3A	chopped light amplifier 7-pin/5-pin	5101 9023
WLV3-UN	chopped light amplifier 5-pin/7-pin	5101 9022

pin assignment

WLV3 amplifier female jack input



WLV3 amplifier male jack output



pin	input signal	pin	output signal
1	transmitter cathode/receiver emitter	1	0V ground
2	n.c.	2	24V DC
3	n.c.	3	signal PNP
4	transmitter anode	4	n.c.
5	receiver collector	5	n.c.

subject to change

TRsystems GmbH, system area
 UNIDOR
 Freiburger Straße 3
 75179 Pforzheim
 Tel. +49 (0) 7231 3152-0
 unidor@trsystems.de
www.unidor.de

chopped light amplifier

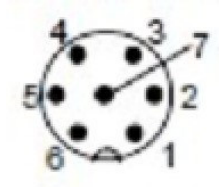
type: WLV

WLV

5101 90xx

Apr-21

WLV3A amplifier female jack input

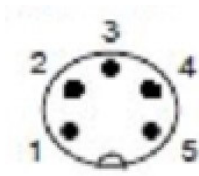


WLV3A amplifier male jack output

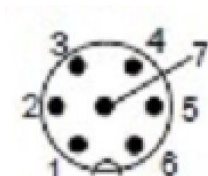


pin	input signal	pin	output signal
1	transmitter cathode/receiver emitter	1	0V ground
2	n.c.	2	24V DC
3	n.c.	3	n.c.
4	transmitter anode	4	signal PNP
5	receiver collector	5	n.c.
6	n.c.		
7	n.c.		

WLV3-UN amplifier female jack input



WLV3-UN amplifier male jack output



pin	input signal	pin	output signal
1	transmitter cathode/receiver emitter	1	signal PNP
2	n.c.	2	n.c.
3	n.c.	3	n.c.
4	transmitter anode	4	n.c.
5	receiver collector	5	0V ground
		6	24V DC
		7	n.c.

subject to change

TRsystems GmbH, system area
 UNIDOR
 Freiburger Straße 3
 75179 Pforzheim
 Tel. +49 (0) 7231 3152-0
 unidor@trsystems.de
www.unidor.de

chopped light amplifier

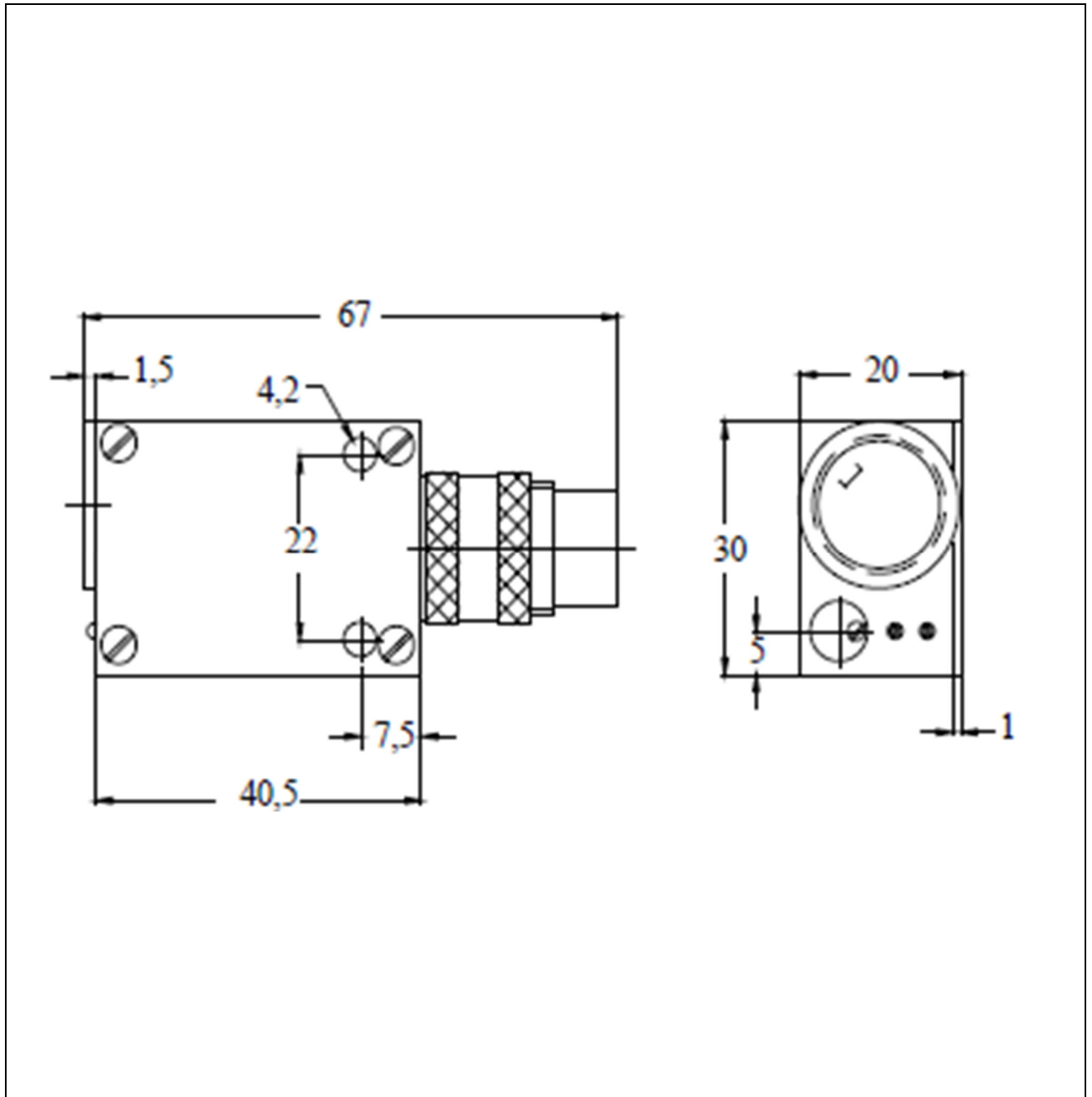
type: WLV

WLV

5101 90xx

Apr-21

dimensions



subject to change

TRsystems GmbH, system area

UNIDOR

Freiburger Straße 3

75179 Pforzheim

Tel. +49 (0) 7231 3152-0

unidor@trsystems.de

www.unidor.de