

eddy current sensor

type: WSD S4/10



picture alike

WSD S4/10

5101 9616

Apr-21

- _ high measurement precision
- _ integrated electronic
- _ high measurement speed
- _ contactless measuring
- _ analog output (0...10V /4...20mA)
- _ pluggable
- _ simply installation

application range

distance measurement against steel

e.g. slug detection, double-sheet detection, bdc-monitoring

technical data

feature	
voltage supply	15 .. 30 V DC
max. current	app. 20 mA
measuring range	0...4mm
linearity	+/- 16µm
housing	brass, nickel-plated
output	0...10V DC
repeatability	0.01mm
resolution	<0.005mm
operating time	<2.5ms

subject to change

TRsystems GmbH, system area
 UNIDOR
 Freiburger Straße 3
 75179 Pforzheim
 Tel. +49 (0) 7231 3152-0
 unidor@trsystems.de
www.unidor.de

eddy current sensor

type: WSD S4/10

WSD S4/10

5101 9616

Apr-21

ambient conditions

operating temperature range -10 .. +70°C

enclosure rating IP 67

order data / types

type	description	order number
WSD S4/10	eddy current sensor plugable	5101 9616
WSD CAB 4/4-1.5	cable WSD S4/10 actuator-sensor box length L= 1.5m	6406 0120
WSD CAB 4/4-3.0	cable WSD S4/10 actuator-sensor box length L= 3.0m	6406 0121
WSD CAB 4/4-5.0	cable WSD S4/10 actuator-sensor box length L= 5.0m	6406 0122

subject to change

TRsystems GmbH, system area

UNIDOR

Freiburger Straße 3

75179 Pforzheim

Tel. +49 (0) 7231 3152-0

unidor@trsystems.de

www.unidor.de

eddy current sensor

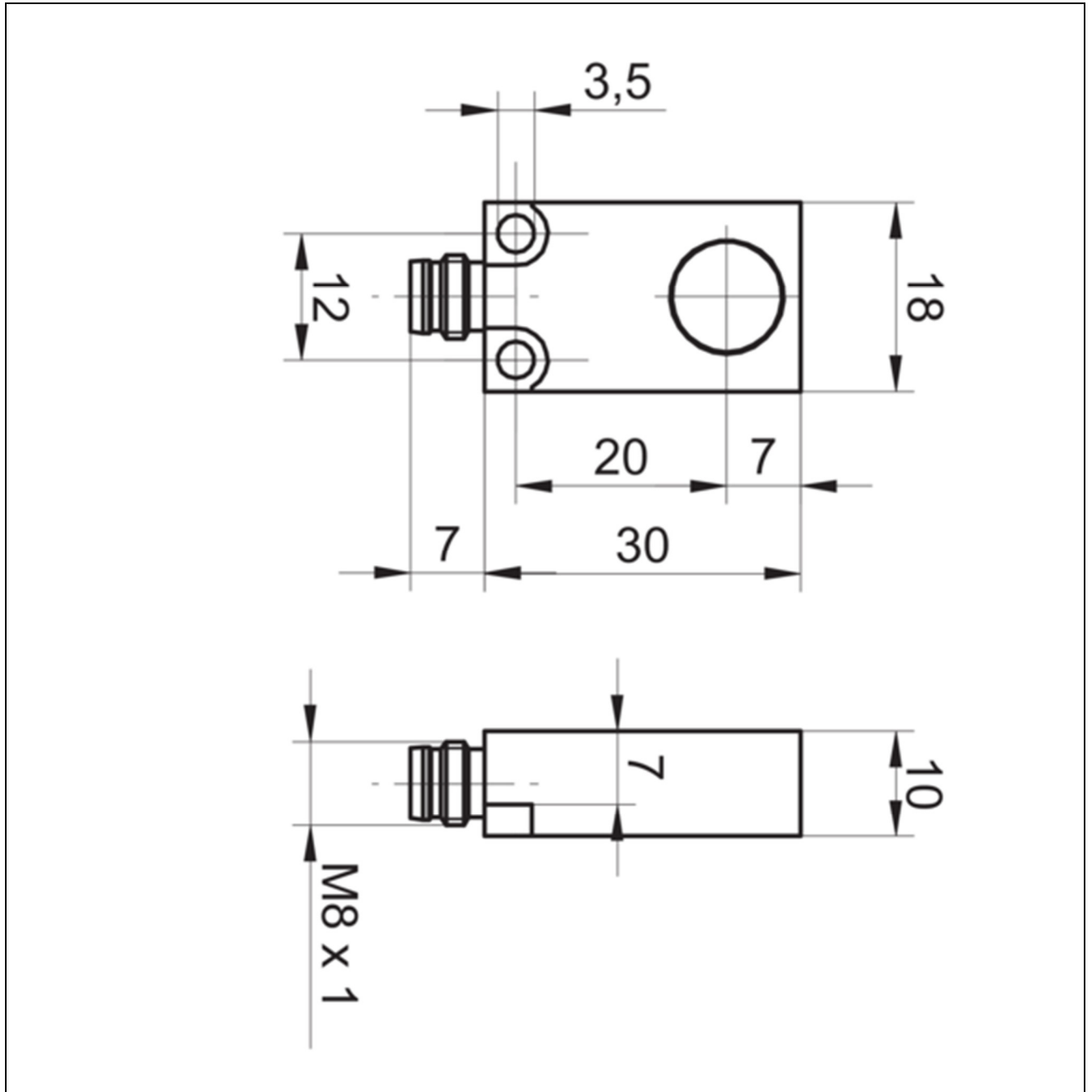
type: WSD S4/10

dimensions

WSD S4/10

5101 9616

Apr-21



subject to change

TRsystems GmbH, system area
UNIDOR
Freiburger Straße 3
75179 Pforzheim
Tel. +49 (0) 7231 3152-0
unidor@trsystems.de
www.unidor.de

eddy current sensor

type: WSD S4/10

WSD S4/10

5101 9616

Apr-21

pin assignment

M12, 4pin (6406 0128)

colour	Pin	operation
brown	1	UB
white	2	n.c.
blue	3	GND 0V
black	4	Signal

M12, 4pin (6406 0164) Beckhoff

colour	Pin	operation
brown	1	UB
black	2	Signal
blue	3	GND 0V
blue	4	GND 0V

subject to change

TRsystems GmbH, system area
UNIDOR
Freiburger Straße 3
75179 Pforzheim
Tel. +49 (0) 7231 3152-0
unidor@trsystems.de
www.unidor.de