

eddy current sensor

type: WSD



picture alike

WSD

5101 0301 0xxx

Aug-23

- _ high measuring accuracy
- _ high measuring speed
- _ standardized output signal (0-10V)
- _ robust aluminium housing
- _ contactless measuring method
- _ flush installation
- _ temperature stable
- _ easy to assemble
- _ oil resistant

application range

distance measurement against steel

e.g. slug detection, double-sheet detection, bdc-monitoring

technical data

feature	
voltage supply	+15 .. -15V DC
max. current	ca. 0.5A (amplifier incl. 8 sensors)
measuring range	0...2mm
linearity	+/- 1,0% of measuring range
housing	alu, gold anodised
output	0...10V DC (ext. Verstärker)
resolution	0.001 mm
operating time	<0.5 ms
size of measured object	min. 20x20mm (steel)

subject to change

TRsystems GmbH, system area
 UNIDOR
 Freiburger Straße 3
 75179 Pforzheim
 Tel. +49 (0) 7231 3152-0
 unidor@trsystems.de
www.unidor.de

eddy current sensor

type: WSD

WSD

5101 0301 0xxx

Aug-23

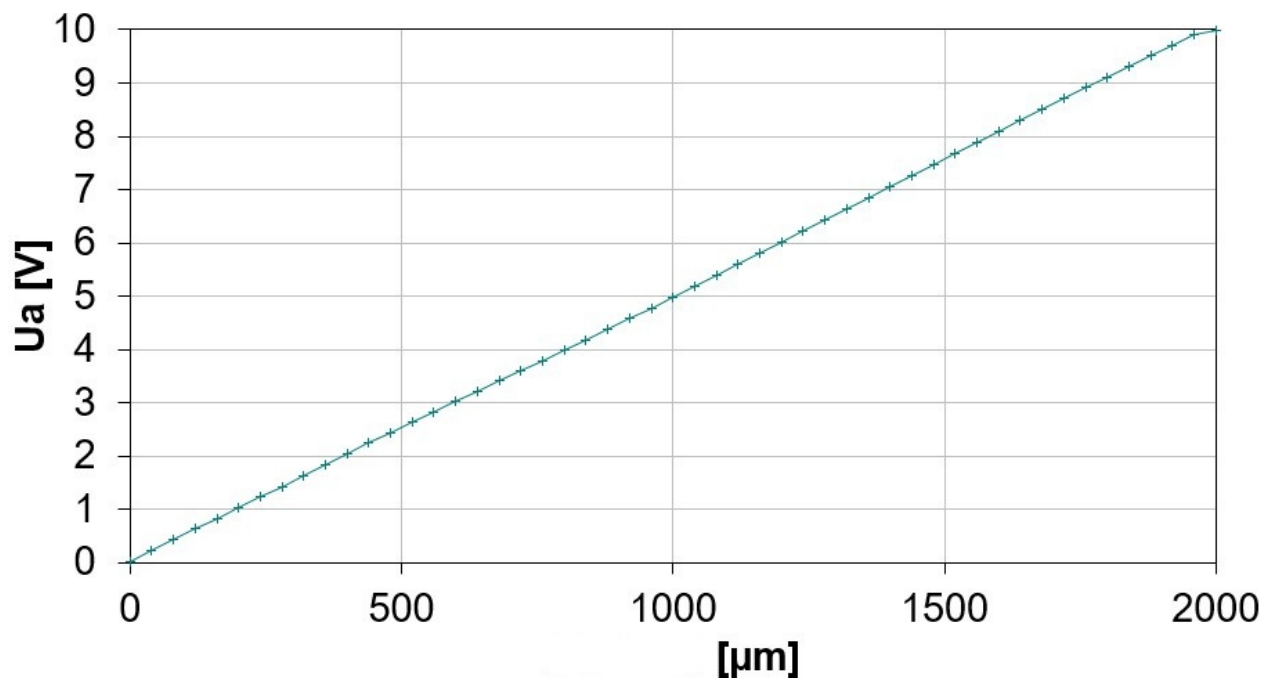
ambient conditions

operating temperature range	10 .. + 70°C
enclosure rating	IP 67

order data / types

type	description	order number
WSD	cabel length to terminal block 50mm	5010 0301 0001
WSD	cabel length to terminal block 150mm	5010 0301 0002
WSD	cabel length to terminal block 500mm	5010 0301 0000
D-AE-WSS	amplifier box eightfold jack 5pin 180°	6420 8001 0000
WSD KAB SAPS 0/12	connecting cable amplifier box 10m open ends	6410 8571 2100
WS KAB OS 7/5	connecting cable amplifier box/ terminal block 1.5m	6410 8570 0015

characteristic curve



subject to change

TRsystems GmbH, system area
 UNIDOR
 Freiburger Straße 3
 75179 Pforzheim
 Tel. +49 (0) 7231 3152-0
 unidor@trsystems.de
www.unidor.de

eddy current sensor

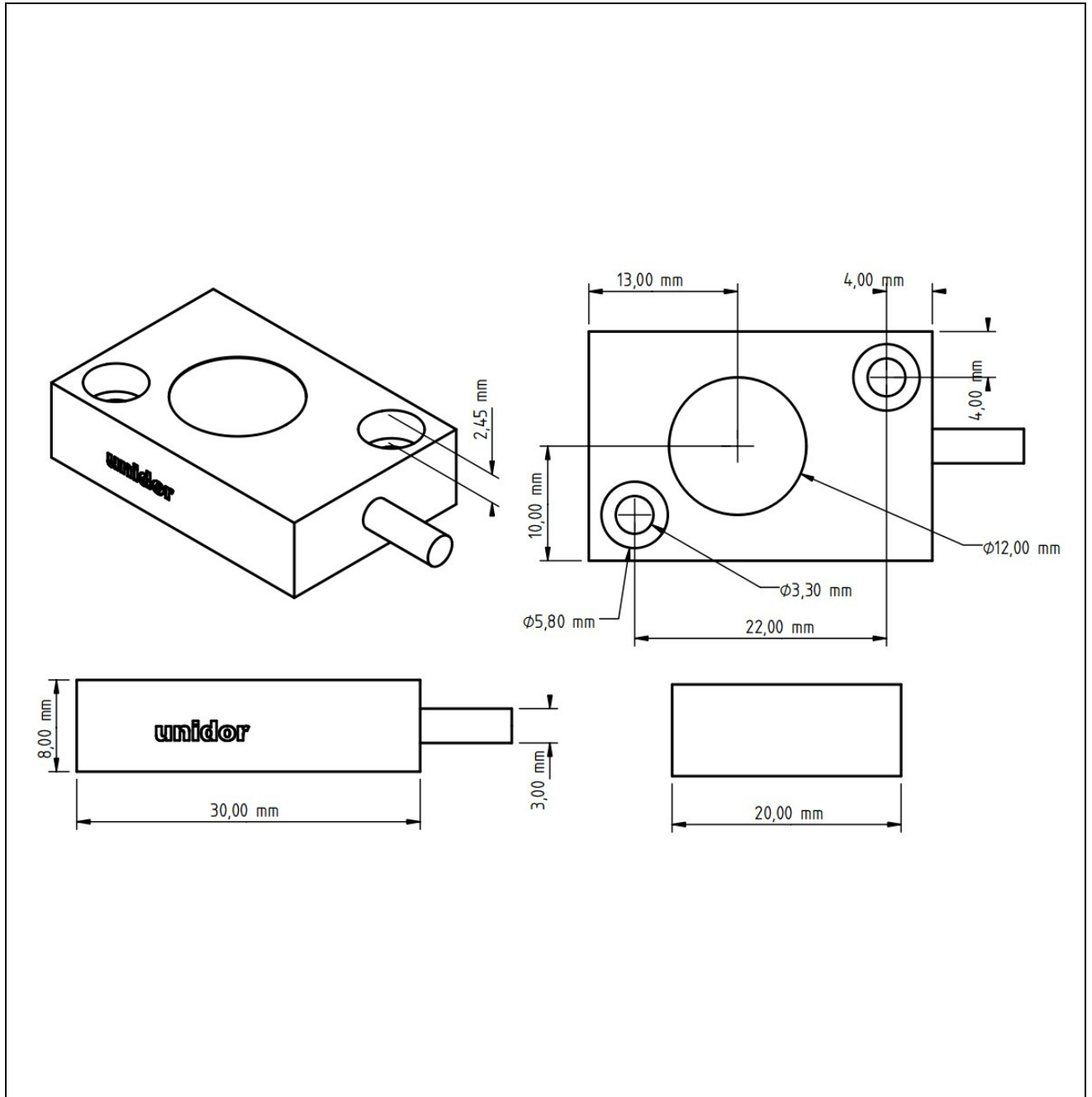
type: WSD

dimensions

WSD

5101 0301 0xxx

Aug-23



subject to change

TRsystems GmbH, system area
UNIDOR
Freiburger Straße 3
75179 Pforzheim
Tel. +49 (0) 7231 3152-0
unidor@trsystems.de
www.unidor.de

eddy current sensor

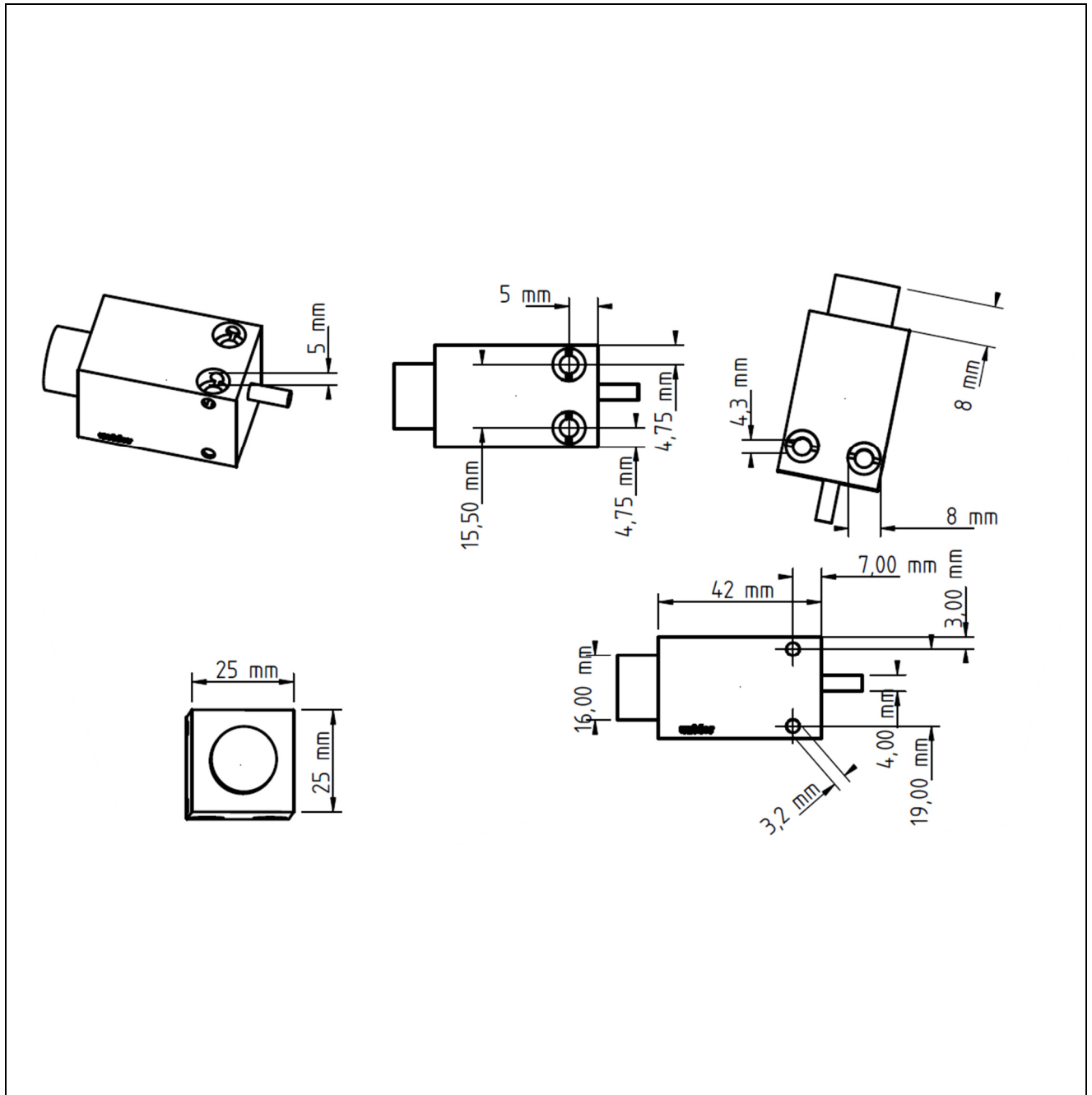
type: WSD

dimensions

WSD

5101 0301 0xxx

Aug-23



subject to change

TRsystems GmbH, system area
UNIDOR
Freiburger Straße 3
75179 Pforzheim
Tel. +49 (0) 7231 3152-0
unidor@trsystems.de
www.unidor.de

eddy current sensor

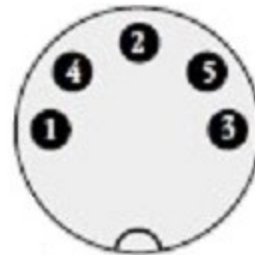
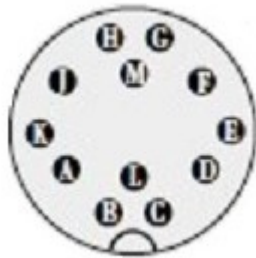
type: WSD

WSD

5101 0301 0xxx

Aug-23

pin assignment



ampifier jack output

ampifier jack input

pin	output signal	pin	input signal
A	sensor 1	1	0V ground
B	sensor 2	2	n.c.
C	sensor 3	3	sensor signal
D	sensor 4	4	-12V DC
E	sensor 5	5	+12V DC
F	sensor 6		
G	sensor 7		
H	sensor 8		
J	0V analog		
K	0V ground		
L	+15V DC		
M	-15V DC		

subject to change

TRsystems GmbH, system area
 UNIDOR
 Freiburger Straße 3
 75179 Pforzheim
 Tel. +49 (0) 7231 3152-0
 unidor@trsystems.de
www.unidor.de