

contrast sensor

type: OKT30



picture alike

OKT30

5101 9717

Apr-21

- _ detects finest contrasts
- _ high resolution
- _ teach-in button
- _ automatic teach
- _ scanning range adjustable
- _ robust metal housing
- _ integrated amplifier

application range

contrast detection

markings; welded joints; etc.

technical data

| feature | |
|---------------------|--------------------------|
| voltage supply | 10... 35V DC |
| max. current | 40mA |
| transmitter | white light pulsed |
| light spot diameter | 0.3mm |
| housing | zinc die-cast, lacquered |
| output | PNP/NPN 200mA switchable |
| distance (typ.) | adjustable 30 +/- 3mm |
| switching frequency | 3 kHz |
| distance hysteresis | 0.01mm |
| resolution | 0.7mm |
| ambient light | 20,000 Lux |
| setting | Teach-Taste |
| connection | M12 4pin |

subject to change

TRsystems GmbH, system area
 UNIDOR
 Freiburger Straße 3
 75179 Pforzheim
 Tel. +49 (0) 7231 3152-0
 unidor@trsystems.de
www.unidor.de

contrast sensor

type: OKT30

OKT30

5101 9717

Apr-21

ambient conditions

| | |
|-----------------------------|--------------|
| operating temperature range | -10 .. +60°C |
| enclosure rating | IP 67 |

order data / types

| type | description | order number |
|-------|-----------------|--------------|
| OKT30 | contrast sensor | 5101 9717 |

functional description

teach function:

the sensor must be fixed at a fixed distance of 30mm +/-3mm from the object. the greatest accuracy is achieved by aligning the sensor at right angles to the object.

teach button:

press for at least 2 seconds until the status LED lights up yellow (teach process activated for 2-4 seconds, LED flashes quickly) during this time, pass at least two or more markings past the sensor. the sensor automatically switches to the operating mode

remote teach function:

start by applying a voltage of 6-35V DC to input T. stop or locking by voltage < 1V DC.

LED display:

2x flashing teach process successfully completed, 4x flashing Object not optimally detected best possible switching point set

switchover NO/NC:

press the teach button for at least 6 seconds, 2x flashing signals the changeover

subject to change

TRsystems GmbH, system area
UNIDOR
Freiburger Straße 3
75179 Pforzheim
Tel. +49 (0) 7231 3152-0
unidor@trsystems.de
www.unidor.de

contrast sensor

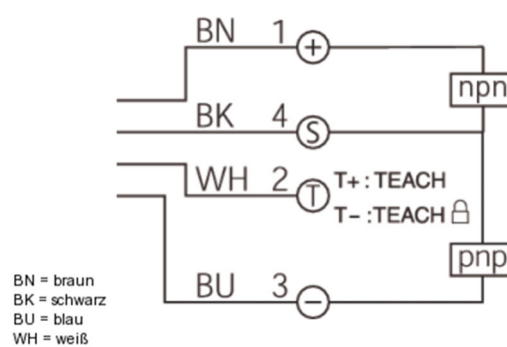
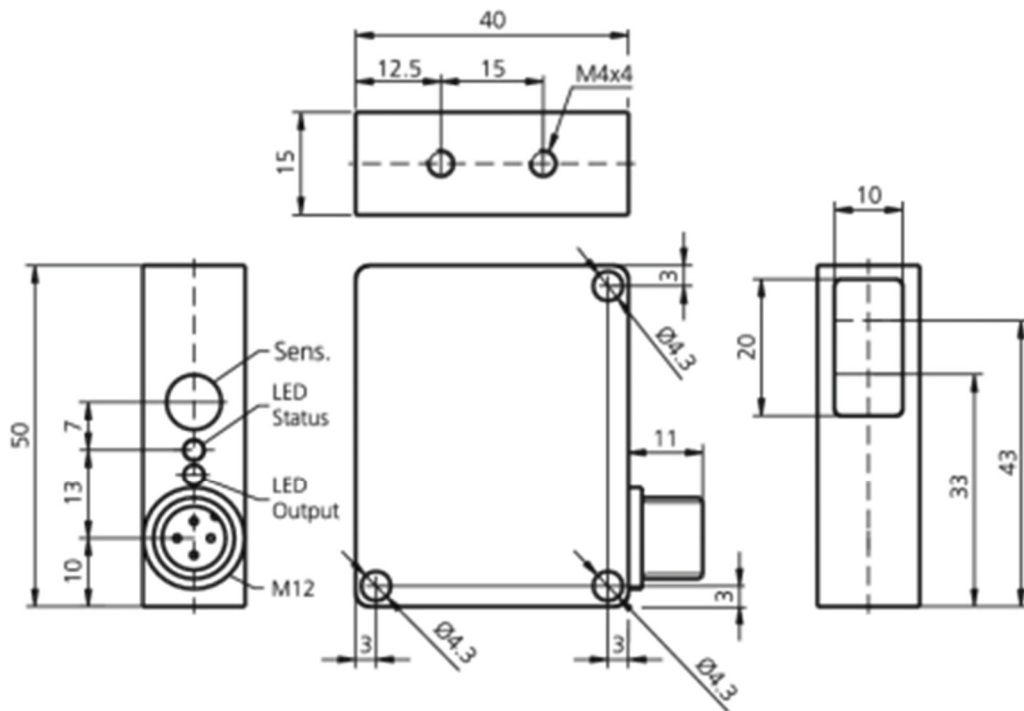
type: OKT30

dimensions

OKT30

5101 9717

Apr-21



subject to change

TRsystems GmbH, system area
 UNIDOR
 Freiburger Straße 3
 75179 Pforzheim
 Tel. +49 (0) 7231 3152-0
 unidor@trsystems.de
www.unidor.de