

inductive proximity switch

type: ZT52



picture alike

ZT52

5101 9686

Feb-21

- contact-free detecting of metal
- high protection class
- switching status indicator
- extreme flat
- simply installation

application range

position detection

technical data

feature:

power supply U_b	10... 30V DC
current consumption	12mA
housing:	zinc - cast-metall nickel-plated
output signal:	pnp no.
reacting distance	2mm
switching frequency	< 5kHz
switching hysteresis	2... 20%
switching status indicator:	LED red
connection	cable 2m
mounting	flush

subject to change

TRsystems GmbH, system area
UNIDOR
Freiburger Straße 3
75179 Pforzheim
Tel. +49 (0) 7231 3152-0
unidor@trsystems.de
www.unidor.de

inductive proximity switch

type: ZT52

ZT52

5101 9686

Feb-21

ambient conditions

operating temperature range	-25 .. + 75°C
enclosure rating	IP 67

order data / types

type	description	order number
ZT52	without plug, cable length 2m	5101 9686
ZT 205 plug	M16 7-pin own manufacture	6330 0040 0000
M12 plug	4 pin own manufacture	6200 0627
M8 plug	3 pin own manufacture	6200 01569

subject to change

TRsystems GmbH, system area
UNIDOR
Freiburger Straße 3
75179 Pforzheim
Tel. +49 (0) 7231 3152-0
unidor@trsystems.de
www.unidor.de

inductive proximity switch

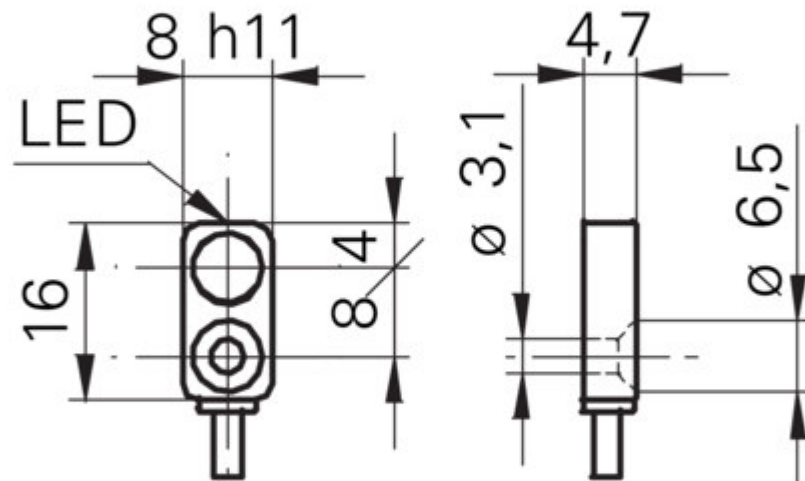
type: ZT52

dimensions

ZT52

5101 9686

Feb-21



subject to change

TRsystems GmbH, system area
UNIDOR
Freiburger Straße 3
75179 Pforzheim
Tel. +49 (0) 7231 3152-0
unidor@trsystems.de
www.unidor.de

inductive proximity switch

type: ZT52

ZT52

5101 9686

Feb-21

pin assignment

M16, 7pin (6410 4041 xxxx)

colour	Pin	operation
-	1	n.c.
-	2	jumper to 3
-	3	jumper to 2
white or black	4	signal
blue	5	GND 0V
brown	6	UB
-	7	n.c.

M12, 4pin (6200 0627)

colour	Pin	operation
brown	1	UB
-	2	n.c.
blue	3	GND 0V
white or black	4	signal

M8, 3pin (6200 01569)

colour	Pin	operation
brown	1	UB
white or black	4	signal
blue	3	GND 0V

subject to change

TRsystems GmbH, system area
UNIDOR
Freiburger Straße 3
75179 Pforzheim
Tel. +49 (0) 7231 3152-0
unidor@trsystems.de
www.unidor.de