

light sensor

type: ORS400W



picture alike

ORS400W

5101 9654

Mrz-25

- _ red light laser
- _ background fade-out
- _ stainless steel plug (V2A)
- _ light/dark switching
- _ scanning range adjustable
- _ integrated amplifier

application range

position detection

feed rate detection

technical data

feature	
voltage supply	10... 30V DC
max. current	20mA
transmitter	laser 655nm, laserclass 2
light spot diameter (at scanning range)	3mm (60); 2mm (200); 5mm (400)
housing	plastic
output	PNP 200mA NO/NC
distance (typ.)	adjustable 65...400mm
switching frequency	600 Hz
switching hysteresis	<1%
ambient light	10,000 Lux
setting	potentiometer
connection	M14 4pin
background fade-out	yes

subject to change

TRsystems GmbH, system area
 UNIDOR
 Freiburger Straße 3
 75179 Pforzheim
 Tel. +49 (0) 7231 3152-0
 unidor@trsystems.de

www.unidor.de

light sensor

type: ORS400W

ORS400W
5101 9654
Mrz-25

ambient conditions

operating temperature range	-25 .. +60°C
enclosure rating	IP 67

order data / types

type	description	order number
ORS400W	reflection light sensor	5101 9654

pin assignment

type	PIN1	PIN 2	PIN 3	PIN 4
ORS400W	Ub+	NC	Ub-	NO

subject to change

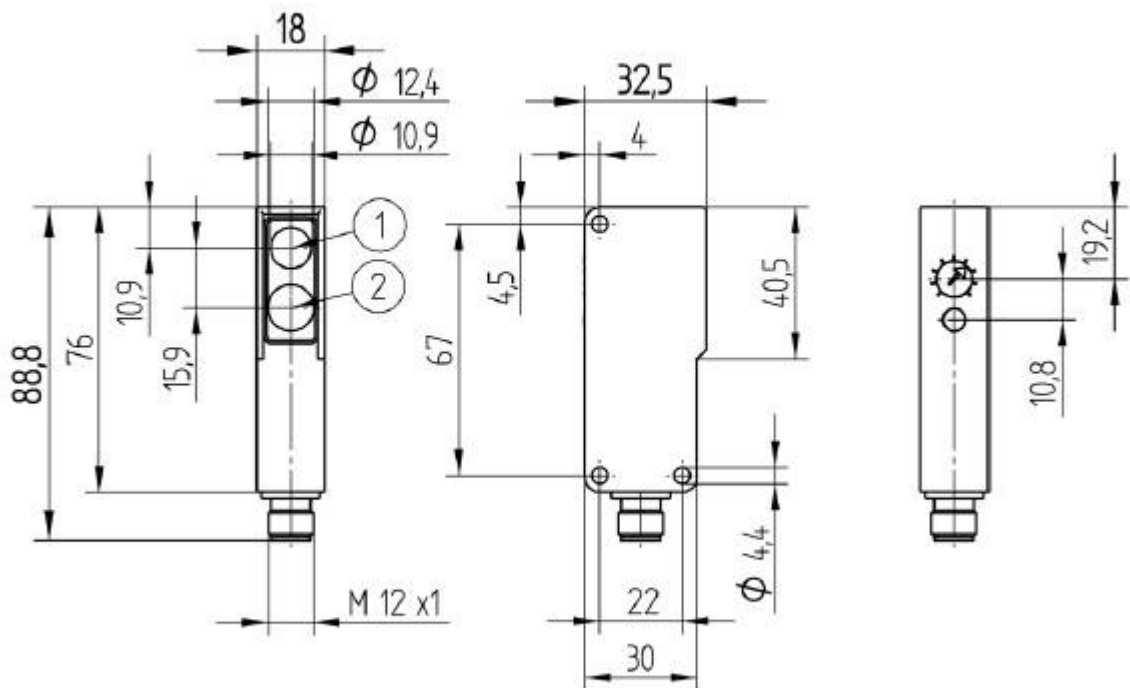
TRsystems GmbH, system area
UNIDOR
Freiburger Straße 3
75179 Pforzheim
Tel. +49 (0) 7231 3152-0
unidor@trsystems.de
www.unidor.de

light sensor

type: ORS400W

dimensions

ORS400W
5101 9654
Mrz-25



1= Transmitterdiode
2= Receiverdiode

subject to change

TRsystems GmbH, system area
UNIDOR
Freiburger Straße 3
75179 Pforzheim
Tel. +49 (0) 7231 3152-0
unidor@trsystems.de

www.unidor.de