

tonnage monitoring device

type: PKM 02



picture alike

tonnage monitoring device

PKM 02

1050 300x 0000

Feb-24

- _ favorable tonnage monitoring device
- _ add-on type
- _ easy and quick mounting
- _ easy to operate
- _ stepless monitoring
- _ 2 measuring channels
- _ peak value memory
- _ error storage

application range

machineforce measurement

technical data

feature	
design	PKM 02
display	2x pointer instrument 0-130% drag indicator
operating system	2x potentiometer 0-100% 2x reset-/2x testbutton
power supply	24V DC
power consumption	ca. 150W
temperature range	0-60°C
humidity	max. 95% non condensing
input impedance amplifier	10 ¹³ Ω
output signal analog	47 Ω / 0-10V DC via M12 socket 5pin
output signal digital	NC contact max. 250V AC/1A
dimensions (WxHxD)	264.5x175.14x59.0mm
weight	ca. 2.3 kg

subject to change

TRsystems GmbH, system area
 UNIDOR
 Freiburger Straße 3
 75179 Pforzheim
 Tel. +49 (0) 7231 3152-0
 unidor@trsystems.de
www.unidor.de

tonnage monitoring device

type: PKM 02

tonnage monitoring device

PKM 02

1050 300x 0000

Feb-24

order data / types

type	description	order number
PKM 02	PKM 02 tonnage monitoring device without plug set	1050 3001 0000
PKM 02	PKM 02 tonnage monitoring device with plug set	1050 3002 0000

accessories

type	description	order number
MB PKM 02	mounting bracket for device installation	1050 300X XXXX
JZT 127/S-MS (SF)	tonnage sensor column mounting with (without) silikon 6m incl. mounting bracket	5001 0101 0000 (5001 0105 0000)
JZT 127/S-MS (SF)	tonnage sensor column mounting with (without) silikon 10m incl. mounting bracket	5001 0101 0100 (5001 0105 0100)
other lengths:	15; 20; 25; 30; 35m....	5001 0101 0xxx (5001 0105 0xxx)
JZT 127/P-MS (SF)	tonnage sensor con-rod mounting with (without) silikon 6m incl. mounting bracket	5001 0106 0000 (5001 0111 0000)
JZT 127/P-MS (SF)	tonnage sensor con-rod mounting with (without) silikon 10m incl. mounting bracket	5001 0106 0100 (5001 0111 0100)
other lengths:	15; 20; 25; 30; 35m....	5001 0106 0xxx (5001 0111 0xxx)
cover	left	49130013
cover	right	49130014

subject to change

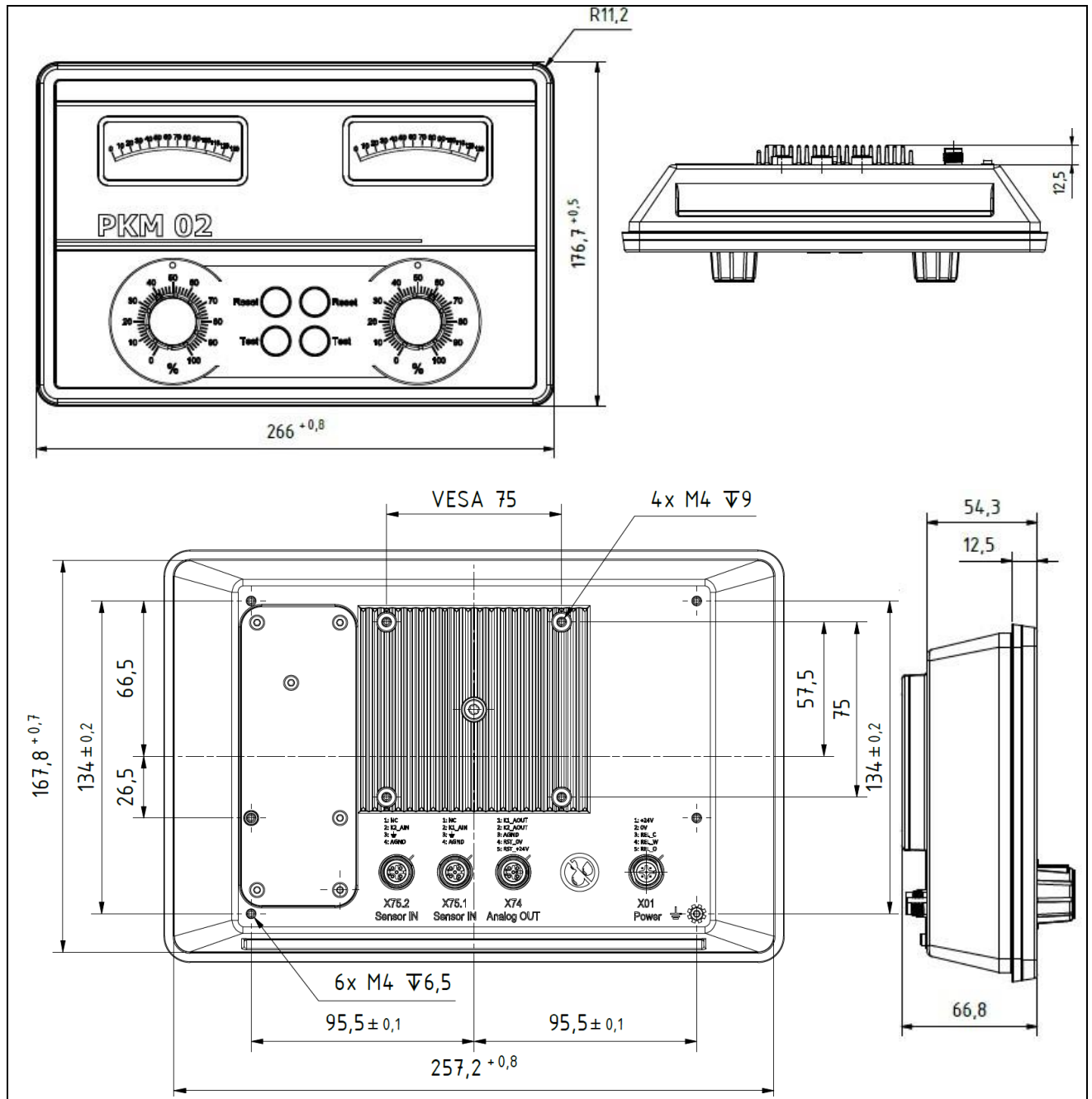
TRsystems GmbH, system area
 UNIDOR
 Freiburger Straße 3
 75179 Pforzheim
 Tel. +49 (0) 7231 3152-0
 unidor@trsystems.de
www.unidor.de

tonnage monitoring device

type: PKM 02

tonnage monitoring device
PKM 02 1050 300x 0000
 Feb-24

dimensions



subject to change

TRsystems GmbH, system area
 UNIDOR
 Freiburger Straße 3
 75179 Pforzheim
 Tel. +49 (0) 7231 3152-0
 unidor@trsystems.de
www.unidor.de